

Monitor Arm Assembly Upright Mounting

Tool List

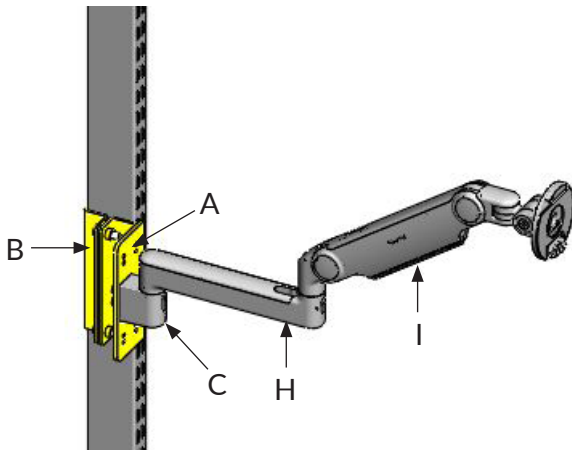
Ratchet with 1/2" socket

5mm hex wrench

#2 Phillips screwdriver

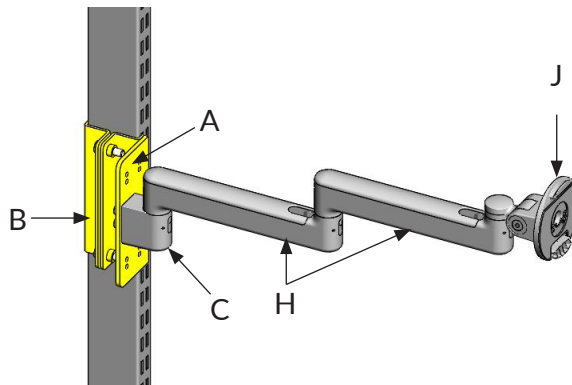
Part # PFSMA - Pneumatic Height Adjustable Monitor Arm

Item	Components	Qty
A	Upright mounting clamp half with plate	1
B	Upright mounting clamp half without plate	1
C	Monitor arm mounting block	1
D	5/16" lock washer	2
E	M8-1.25 x 30mm socket head cap screw	2
F	5/16-18 x 1" hex head cap screw	2
G	Monitor arm smart stop ring	2
H	Monitor arm fixed link	1
I	Monitor arm adjustable link	1



Part # FPDA - Articulating Monitor Arm

Item	Components	Qty
A	Upright mounting clamp half with plate	1
B	Upright mounting clamp half without plate	1
C	Monitor arm mounting block	1
D	5/16" lock washer	2
E	M8-1.25 x 30mm socket head cap screw	2
F	5/16-18 x 1" hex head cap screw	2
G	Monitor arm smart stop ring	3
H	Monitor arm fixed link	2
J	Monitor arm VESA mount	1



Monitor Arm Assembly Upright Mounting

- 1 Attach monitor arm mounting block (C) to upright mounting clamp half with plate (A) using M8-1.25 x 30mm socket head cap screws (E) and 5/16" lock washers (D) (Fig-1).

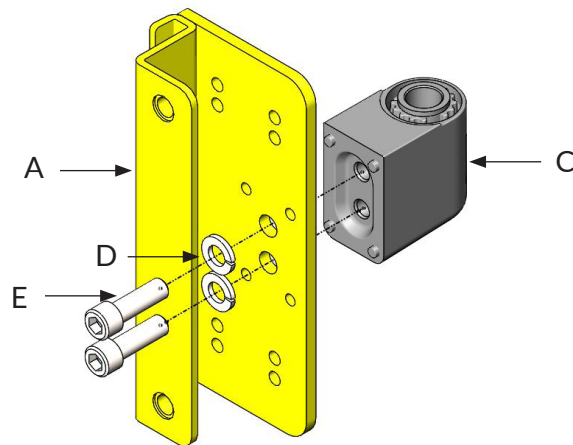


Fig-1

- 2 Hook upright mounting clamp halves (A) and (B) into desired position on slotted upright (Fig-2).
- 3 Secure clamp halves to upright using 5/16-18 x 1" hex head cap screws (F) (Fig-2).

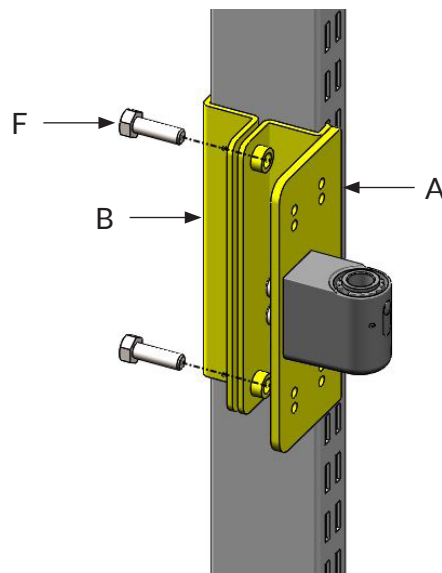


Fig-2

Monitor Arm Assembly Upright Mounting

4a Part # - PFSMA

Before adding each link of monitor arm, adjust monitor arm smart stop ring (G) (Fig-3a) according to step 2 in manufacturer's assembly instructions.

1. Insert monitor arm fixed link (H) into monitor arm mounting block (C) until release button locks in place.
2. Insert monitor arm adjustable link (I) into fixed link (H) until release button locks in place.
3. To remove links, press the release button and lift upward near the joint.

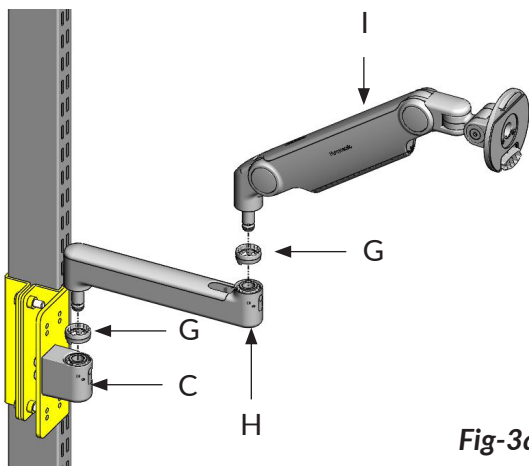


Fig-3a

4b Part # - FPDA

Before adding each link of monitor arm, adjust monitor arm smart stop ring (G) (Fig-3b) according to step 2 in manufacturer's assembly instructions.

1. Insert the first monitor arm fixed link (H1) into the monitor arm mounting block (C) until release button locks in place.
2. Insert the second monitor arm fixed link (H2) into the first monitor arm fixed link (H1) until release button locks in place.
3. Insert monitor arm VESA mount (J) into second monitor arm fixed link (H2) until release button locks in place.
4. To remove links, press the release button and lift.

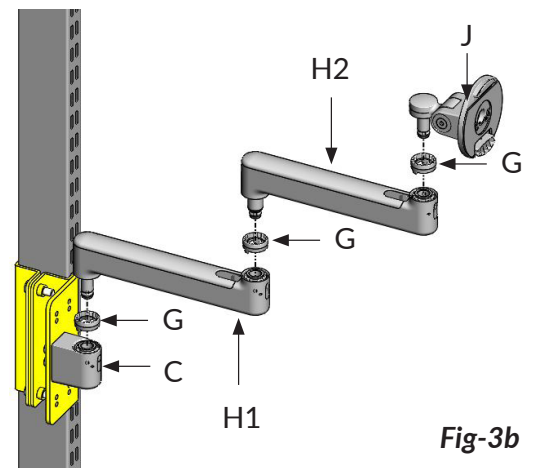


Fig-3b

- 5** Reference pages 4-7 of manufacturer's assembly instructions for additional information to mount monitor and adjust PFSMA.