

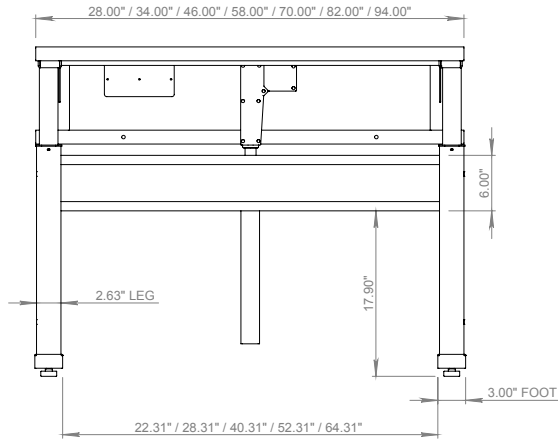


SPECIFICATIONS

ELECTRIC HEIGHT ADJUSTABLE PB WORKSTATIONS

INDUSTRIAL

SPECIFICATIONS



DIMENSIONS:

Height: Adjusts 28" to 44" height without work surface

Available in depths: 24" | 30" | 36"

Available in widths: 30" | 36" | 48" | 60" | 72" | 84" | 96"

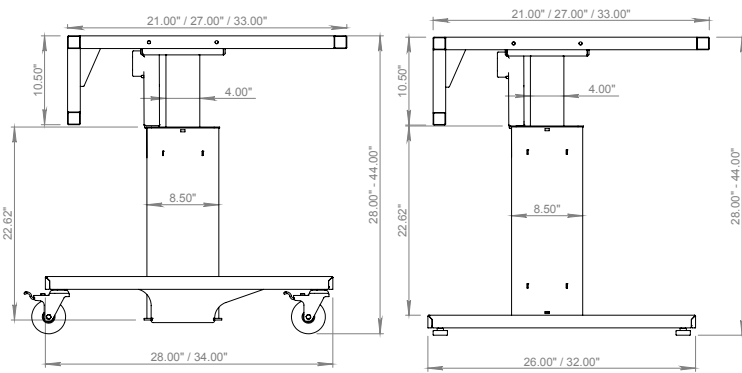
Additional sizes available upon request

BUILD YOUR PART NUMBER

PB2460

Prefix

Depth & Width
(based on work surface size)



CAPACITY: 500 lbs.

- Based on evenly distributed loads
- Must deduct weight of work surface, shelves, accessories, and suspended product from total load rating

WEIGHT: 100 to 174 lbs. dependent on size

CONSTRUCTION:

- Cantilevered style leg ensures ample leg room
- Telescoping legs and connecting horizontal crosstube create stable table base
- Four bolts connect main frame to work surface support frame

MATERIAL:

- Main frame: 18, 14, 11 & 7 gauge sheet steel
- Work surface support frame: 1 1/2" - 11 gauge square tubing
- Finished with gray epoxy powder coat standard
Additional colors available

ELECTRICAL:

- Linear actuator with integral limit switches, 12 VDC low voltage control
- 1/2" per second travel, hand switch controlled
- Programmable height adjustment switch is mounted on right front of workstation work surface standard
- ETL listed control box that is double-insulated with 2 prong power cord
- Max input current: 2.5A
- Cord Length: 11 feet

COMPATIBILITY:

- Medium duty casters and leveler glides
- Any BOSTONtec work surface
- Strong open deck frame easily accepts tilting, rotating, and retractable ball transfer work surfaces; recesses wells; etc.
- All BOSTONtec industrial uprights and accessories

GENERAL INFORMATION:

- Supports ADA compliance
- Designed to meet ANSI/HFS 100-1988
- Feet or casters, work surface and accessories ordered separately

CONTACT US | 989-496-9510

BOSTONtec