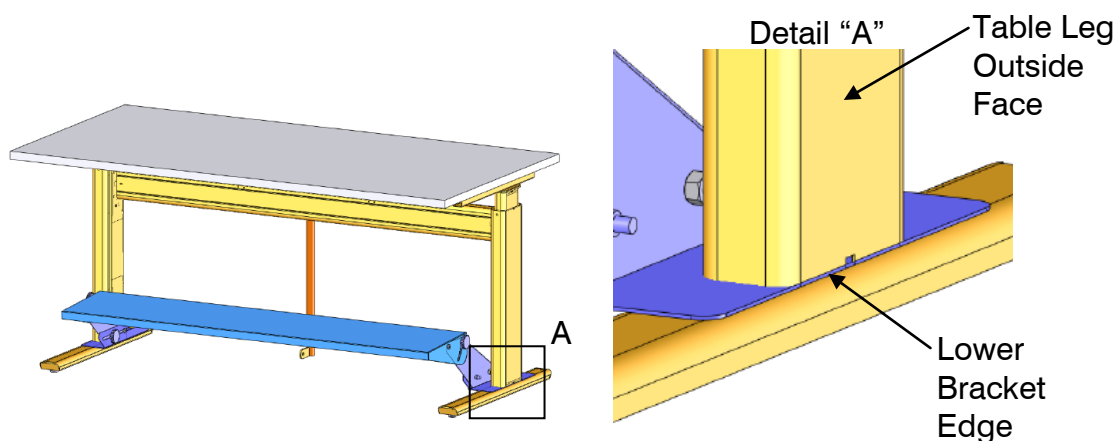


fig - 1

To attach the footrest assembly, first remove the feet of the table by taking out the existing bolts. Next, align the holes for the bolts in the footrest assembly, table foot, and table leg. Finally, reattach the foot to the table leg sandwiching the footrest assembly lower bracket between the two (See fig - 1).



Attached footrest shown on a PT table above. The outside face of the table leg and lower bracket edge should be flush on a PT table. Assembly for attached footrest on a PB table is identical with the exception of a 1/16" gap between the outside face of the table leg and lower bracket edge (See Detail "A").