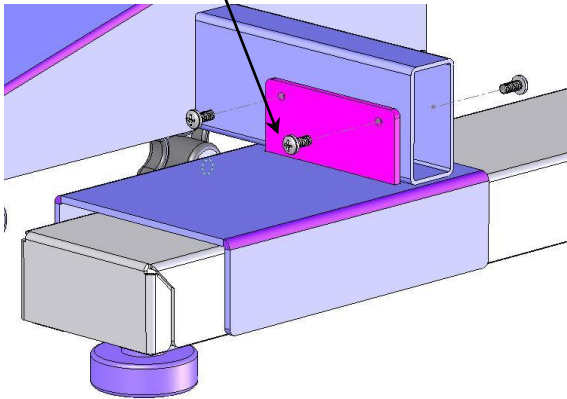
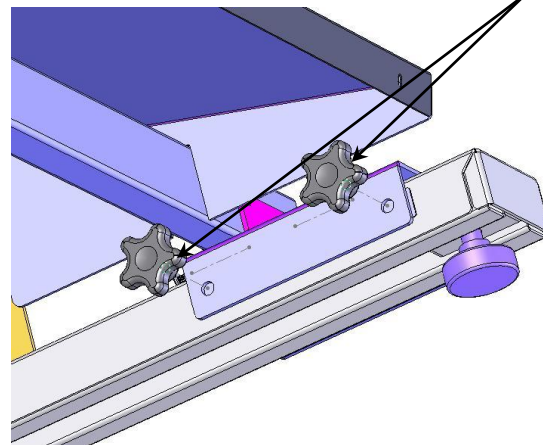


Four screws



*fig - 1*

Knobs



*fig - 2*

First, adjust the leg clamps to fit your table and tighten the four screws per clamp section (See *fig - 1*). Next, adjust the footrest front to rear & tighten the knobs to secure the footrest into position. (See *fig - 2*)