

Place the work surface on the assembled frame and push it all the way to the rear of the frame until it rests against the uprights. If no uprights are used position the rear of the work surface flush with the rear fixing frame. Next, align the work surface so that it is centered on the frame from left to right (See *fig - 4*).

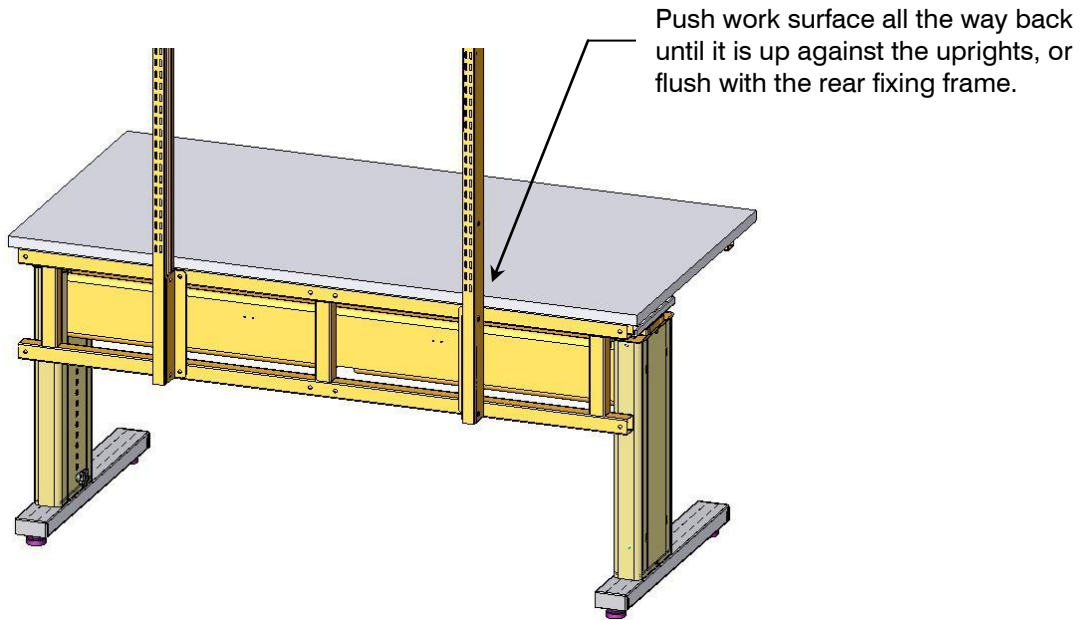


fig - 1

Secure the work surface from underneath using #12 X $\frac{3}{4}$ " wood screws that have been provided. It is best to pre-drill holes for the mounting screw to ensure a better grip of the screw into the work surface. The wood screws should pass through the holes in the decks corner braces (See *fig-2*).

• Use Caution! If the wood screws are too long they will pass through the top of the work surface.

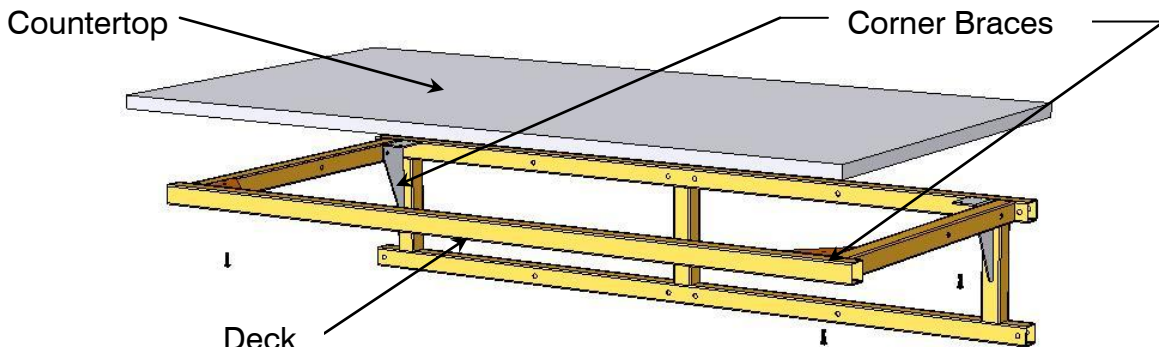


fig - 2