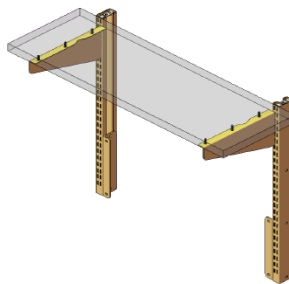


**WSR1236****Hardware List**

2 – 30" Slotted Uprights  
 2 - BT Upright Shelf Brackets  
 2 - Upright Brackets  
 8 -  $\frac{5}{16}$ -18 x 2  $\frac{1}{2}$ " Hex Head Cap Screw  
 16 -  $\frac{5}{16}$ " Flat Washer  
 8 -  $\frac{5}{16}$ " Lock Washer  
 8 -  $\frac{5}{16}$ -18 Hex Nut  
 6 - #8 x  $\frac{5}{8}$ " Truss Head Screw

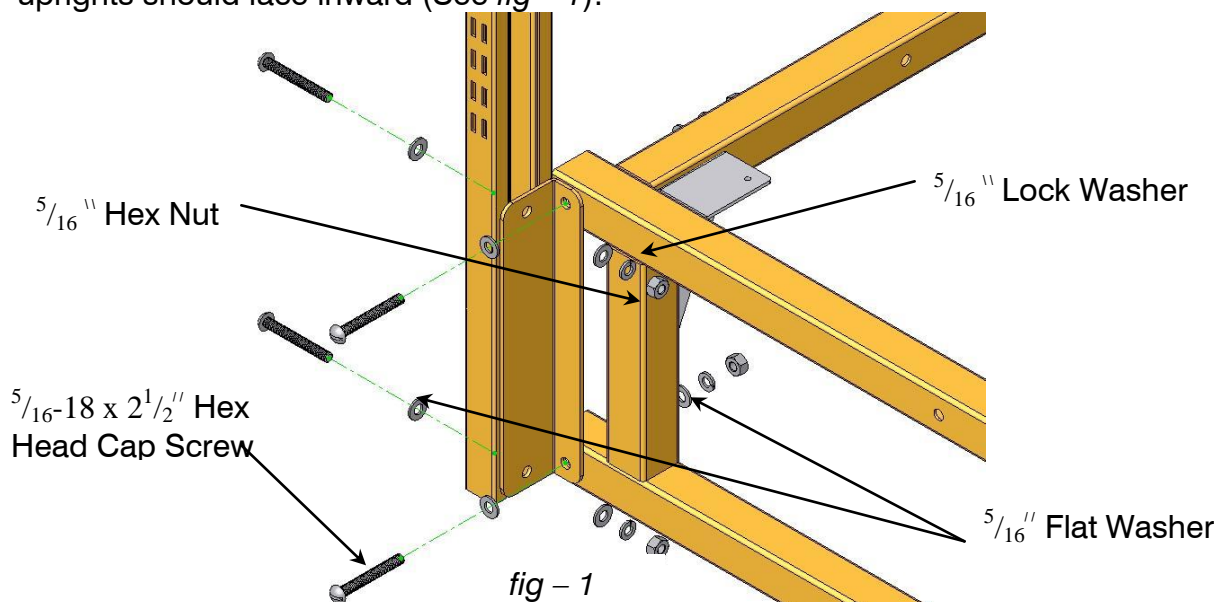
**Optional:**

1- Work Surface

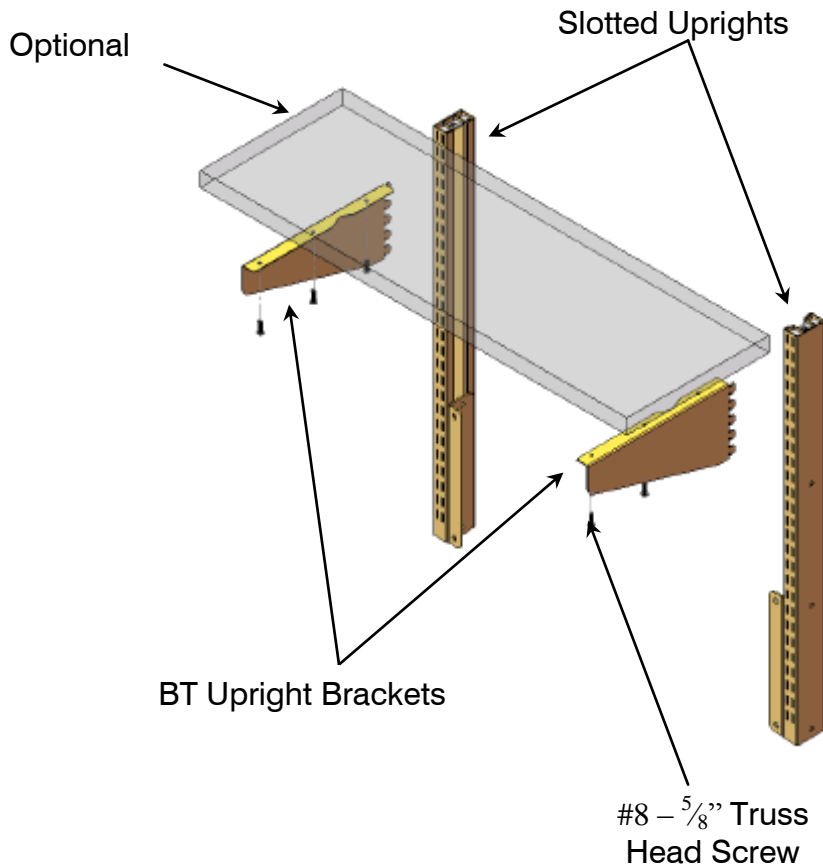


Select the appropriate mounting holes for a Single Bay Upright on the rear deck frame. Mount the upright brackets (narrow section against the frame) first using the  $\frac{5}{16}$ -18 x 2  $\frac{1}{2}$ " Hex Head Cap Screws,  $\frac{5}{16}$ " Flat Washers,  $\frac{5}{16}$ " Lock Washer and  $\frac{5}{16}$ -18 Hex Nuts (See fig - 1).

Mount the uprights to the upright mounting brackets using the  $\frac{5}{16}$ -18 x 2  $\frac{1}{2}$ " Hex Head Cap Screws,  $\frac{5}{16}$ " Flat Washers,  $\frac{5}{16}$ " Lock Washer and  $\frac{5}{16}$ -18 Hex Nuts. The utility channel should face the mounting bracket. The utility channel in the uprights should face inward (See fig - 1).



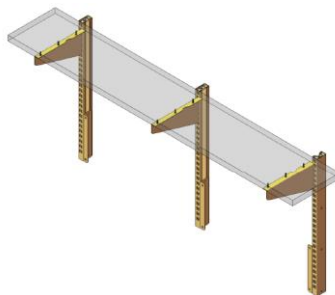
Once the uprights are assembled and attached to the deck frame, hook the shelf brackets into the desired height slot in the uprights. (See *fig - 2*)  
Mount the work surface (optional) with the #8 -  $\frac{5}{8}$ " Truss Head Screws provided (See *fig - 2*).



*fig - 2*

\*WSR1248 mounts as shown above, but with 6" more work surface overhang on the right and left.

\*WSR1260 and WSR1272 mount as shown above, but with an additional center upright just like a double bay upright (See *fig - 3*).



*fig - 3*