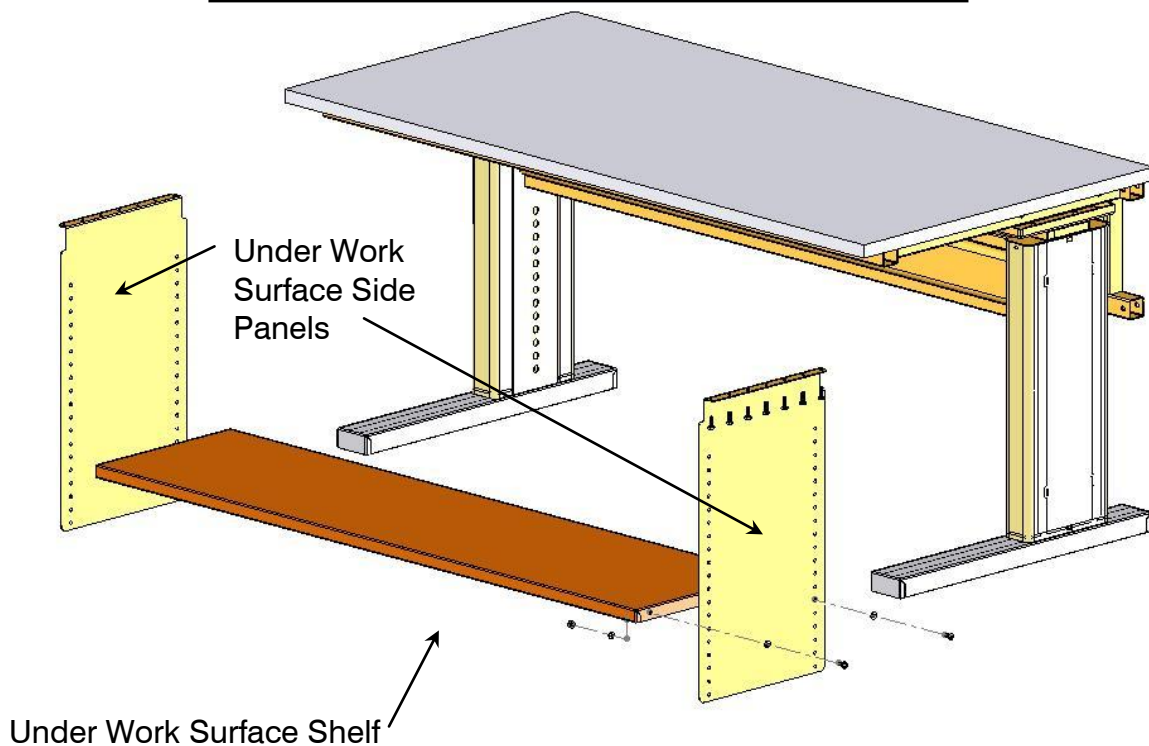


**UWS1736/48/60/72 Hardware List**

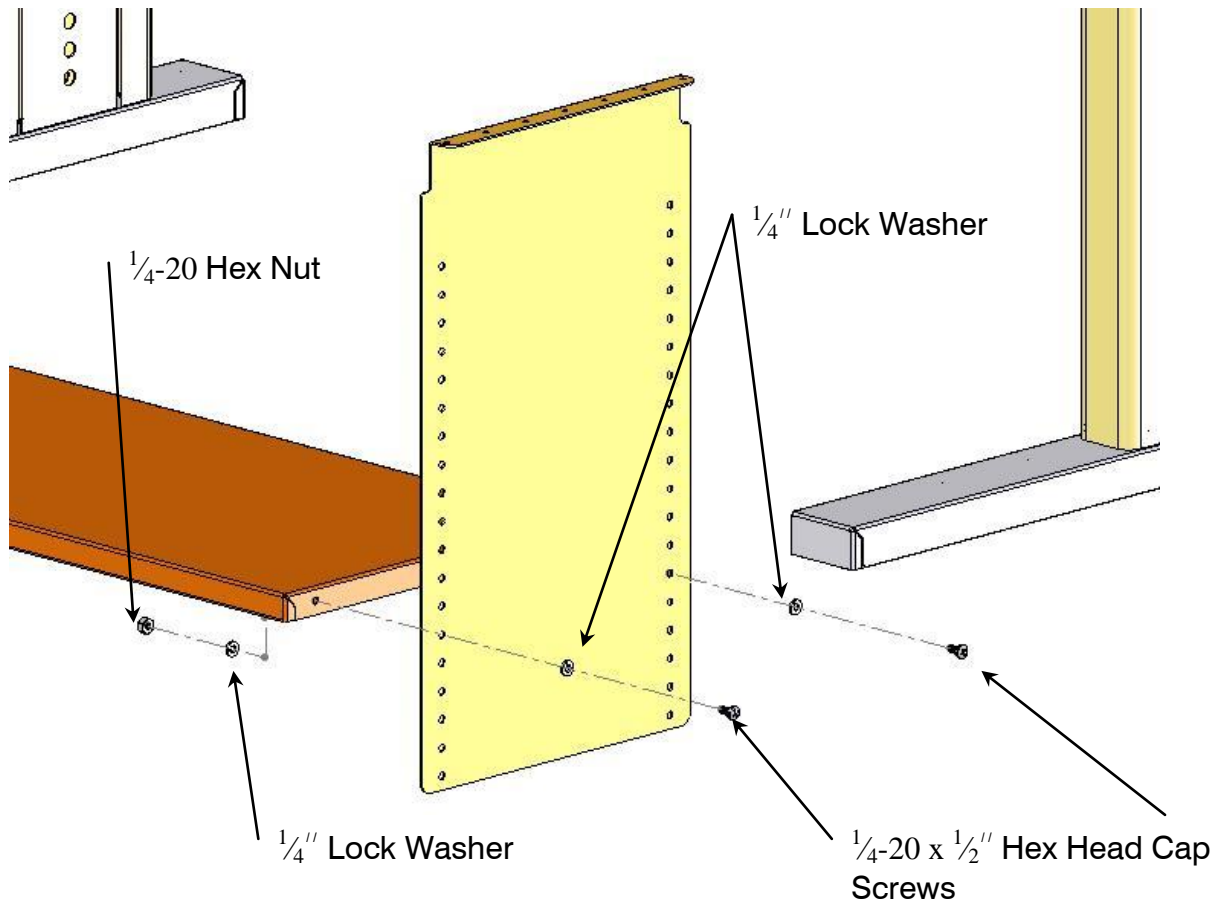
- 1 - Under Work Surface Shelf
- 2 - Under Work Surface Side Panels
- 4 -  $\frac{1}{4}$ -20 x  $\frac{1}{2}$ " Hex Head Cap Screw
- 4 -  $\frac{1}{4}$ -20 Hex Nut
- 8 -  $\frac{1}{4}$ " Lock Washer

*fig - 1*

The Under Work Surface Shelving System is designed to provide storage under any BOSTONtec workstation frame. Four different widths are available, 36" wide, 48" wide, 60" wide, and 72" wide. For the 36", 48", 60", and 72" BOSTONtec frames.

The system is installed by mounting the side supports first. Install each side panel using one  $\frac{1}{4}$ -20 x  $\frac{1}{2}$ " Hex Head Cap Screw in front and one in back. Carefully measure to insure that the side pieces are in the proper positions (left to right, and front to back), and that the shelf is far enough forward that the shelf will not hit against the front of the workstation leg before installing all the wood screws necessary to secure the side panel to the work surface (See *fig - 1*).

Shelves are installed next with the  $\frac{1}{4}$ -20 x  $\frac{1}{2}$ " Hex Head Cap Screws,  $\frac{1}{4}$ " Lock Washers, and  $\frac{1}{4}$ -20 Hex Nuts provided. Carefully select the holes in the side panels to give the desired shelf height and spacing. The system is provided with one shelf, additional shelves are available (See *fig - 2*).



*fig - 2*

Dividers (DIV1215) can be used on these shelves also.