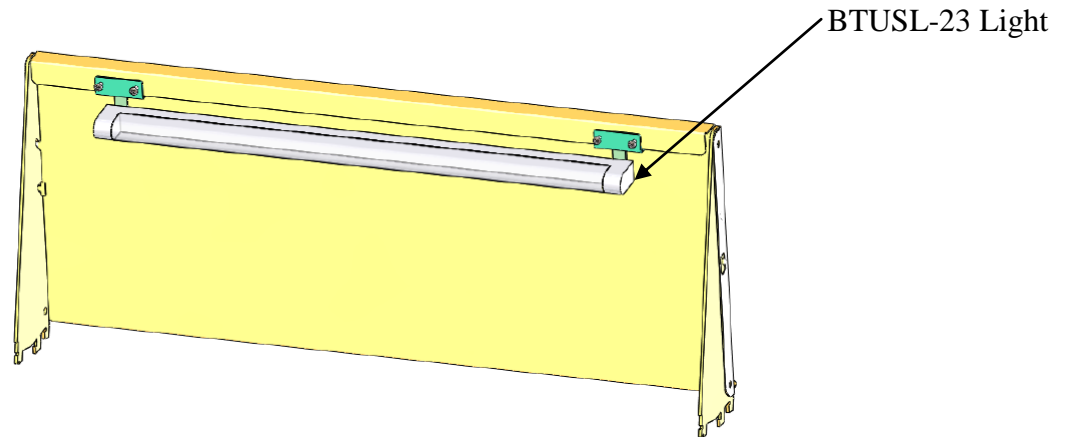


## Under Shelf Light Mount

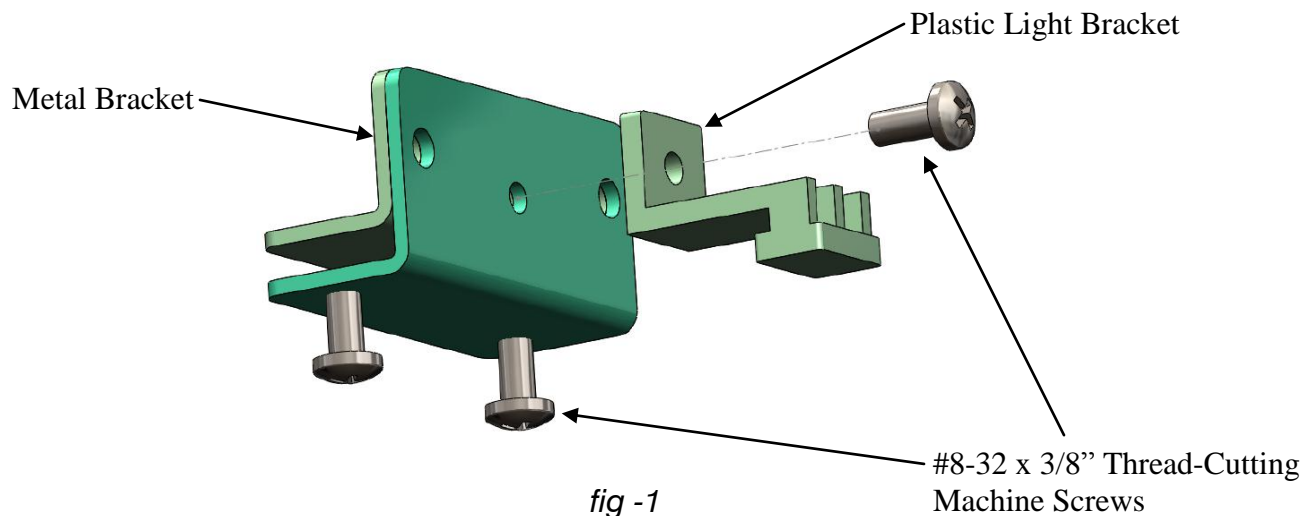
### Under Shelf Light Mount

### Hardware List

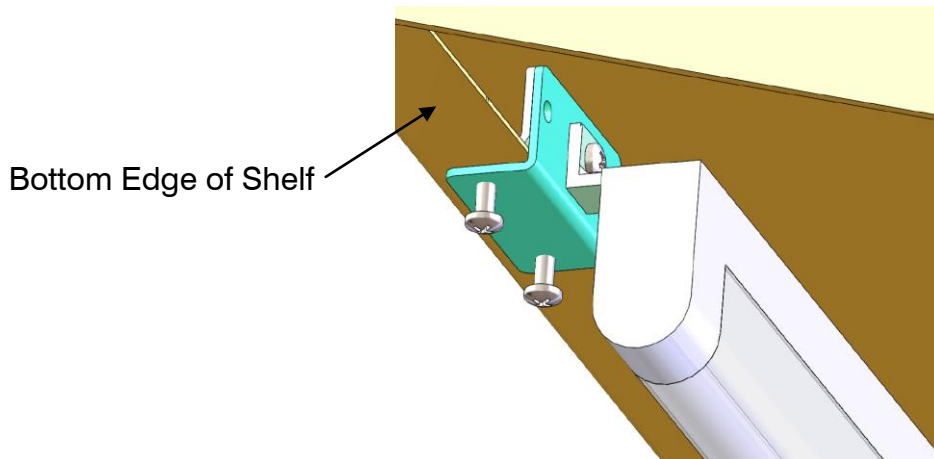
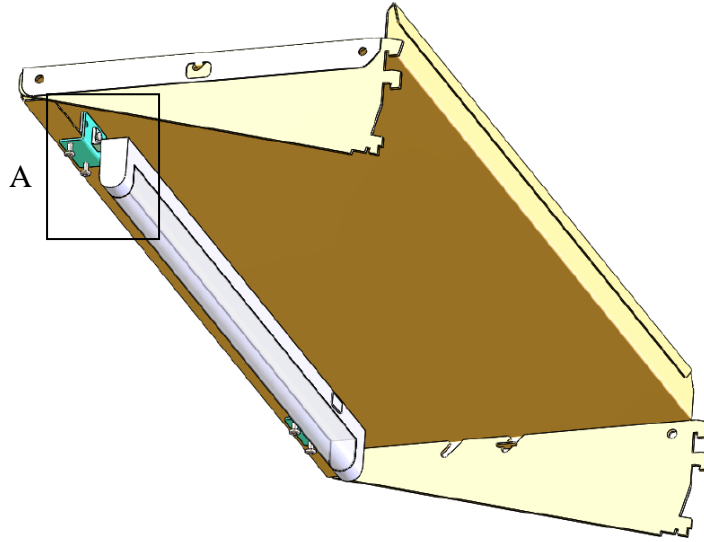
- 2 – Plastic Bracket Included with BTUSL-23 Light
- 2 – Metal Brackets for Light Mount
- 6 – #8-32 x 3/8" Thread Cutting Machine Screws



Mount plastic light bracket to the center hole of the metal bracket for both ends of the light using #8-32 x 3/8" Phillips Pan Head Thread-Cutting Machine Screws. Also, install two more of the same screws into the bottom of the metal bracket. Only start the screw into these positions as this bracket will slide over the bottom flange of the shelf. (See Fig-1)



Once the bracket assembly is complete, slide each one into the slots on the light. Then, slip the whole assembly onto the bottom edge of the shelf. Position the light so it's centered on the shelf, and then tighten the two lower screws on each bracket to lock it to the shelf. (See fig-2)



*fig-2*