

TTF3073

Hardware List

- 2 - Slotted Uprights / Feet
- 2 - Top Cap Assemblies
- 1 - Upright Cross Bar Support
- 2 - Upright Clamp w/o Pem Fittings
- 4 - 4" Caster (2 Locking/2 Non-Locking)
- 2 - $\frac{5}{16}$ -18 x $1\frac{1}{2}$ " Hex Head Cap Screw
- 2 - $\frac{5}{16}$ " Flat Washer
- 2 - $\frac{5}{16}$ -18 Hex Nut
- 4 - $\frac{5}{16}$ -18 x $\frac{3}{4}$ " Hex Head Cap Screw
- 2 - $\frac{5}{16}$ -18 x $1\frac{1}{4}$ " Type F Phillips Pan Head Machine Screw

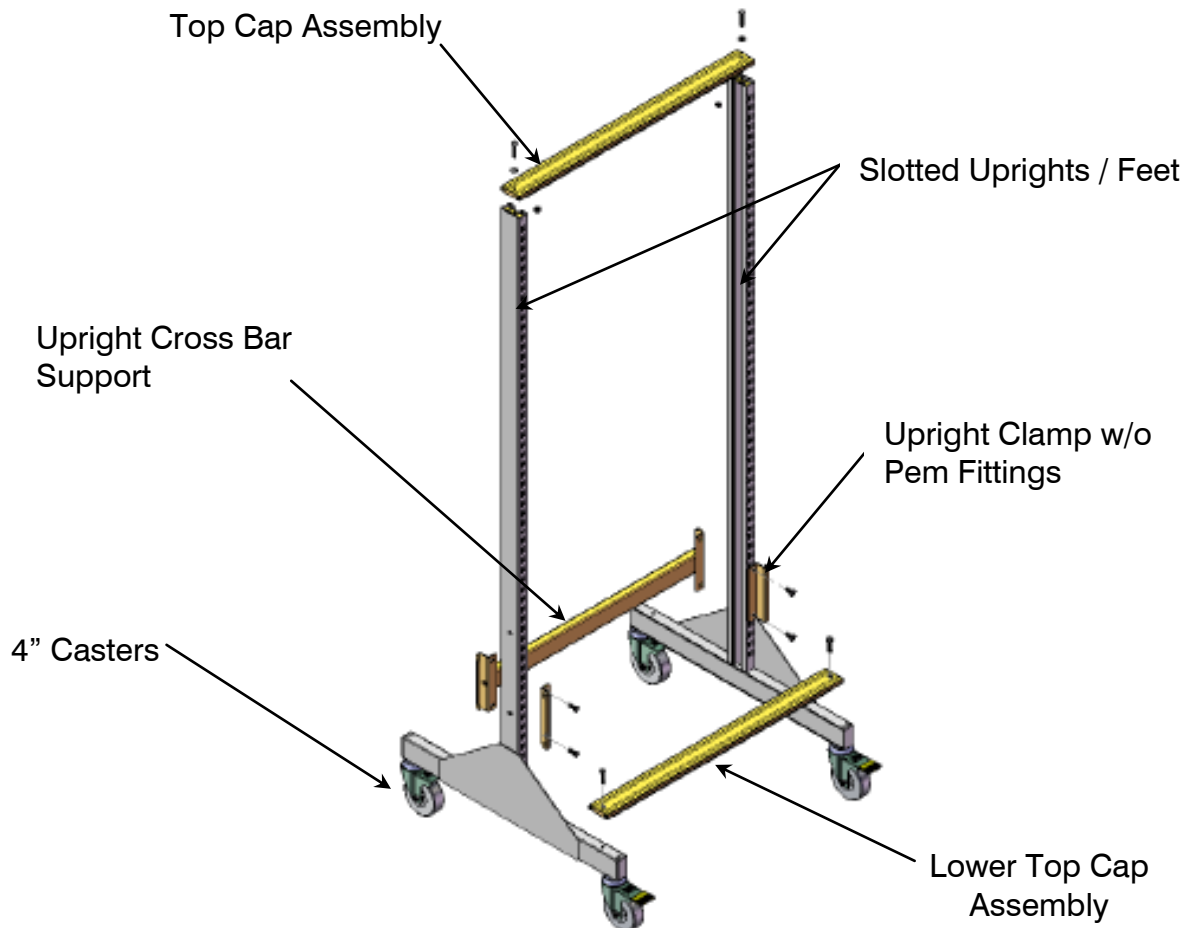


fig - 1

The uprights should be assembled with the channels facing the inside of the frame. Thread the locking casters into the holes towards the front of the foot and the non-locking casters into the holes towards the back. Select the desired slots on the upright to mount the 30" cross bar. The cross bar works best when it is located 12" to 18" from the floor. Tightening the $\frac{5}{16}$ -18 x $\frac{3}{4}$ " Phillips Pan Head Machine Screws pulls the Upright Clamps together (See *fig - 1* & *fig - 2*).

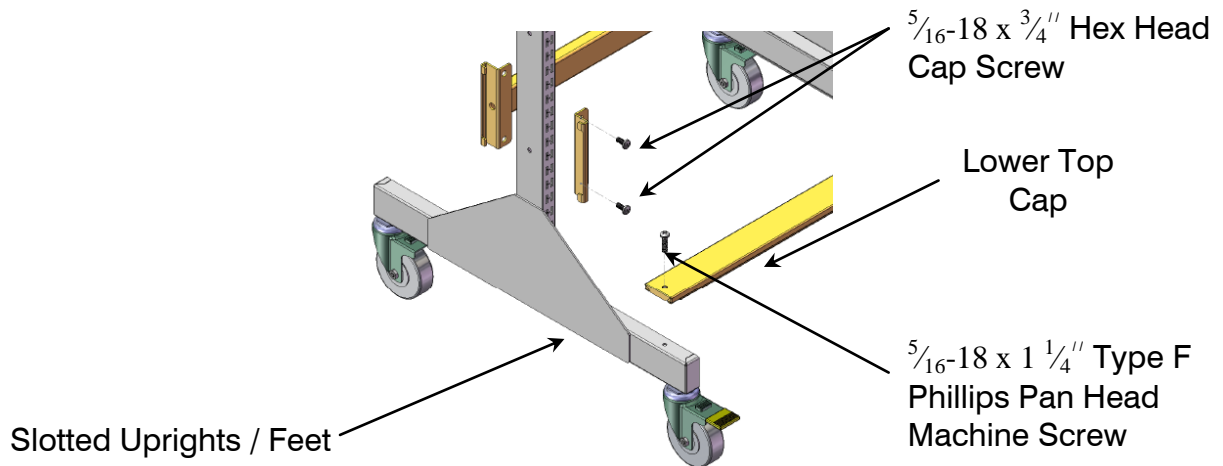


fig - 2

Once the cross bar is installed and tightened, the top cap can be mounted using the $\frac{5}{16}$ -18 x $1\frac{1}{2}$ " Round Head Slotted Machine Screws, $\frac{5}{16}$ " Flat Washer, and $\frac{5}{16}$ -18 Hex Nut provided (See *fig - 3*). The Lower Top Cap is mounted by threading the $\frac{5}{16}$ -18 x $1\frac{1}{4}$ " Type F Phillips Pan Head Machine Screw into the hole located at the top face of the foot (See *fig - 2*).

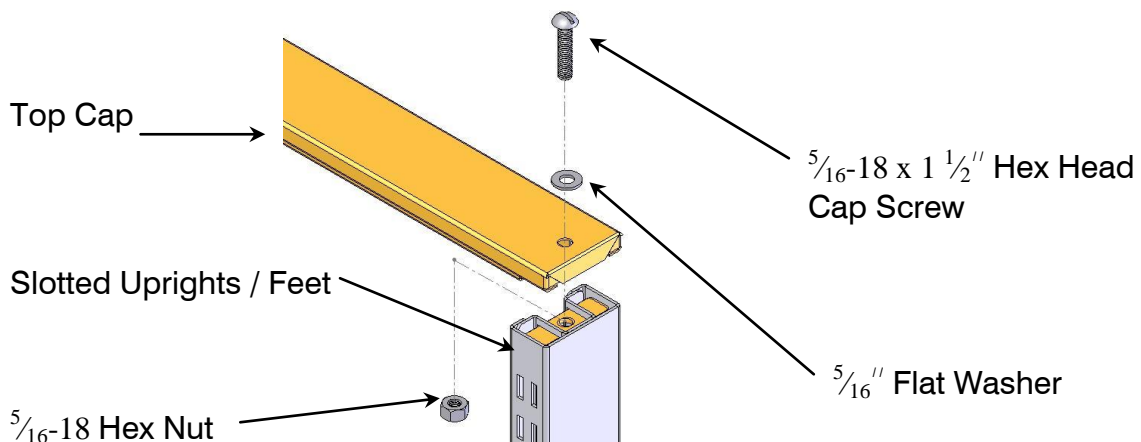


fig - 3