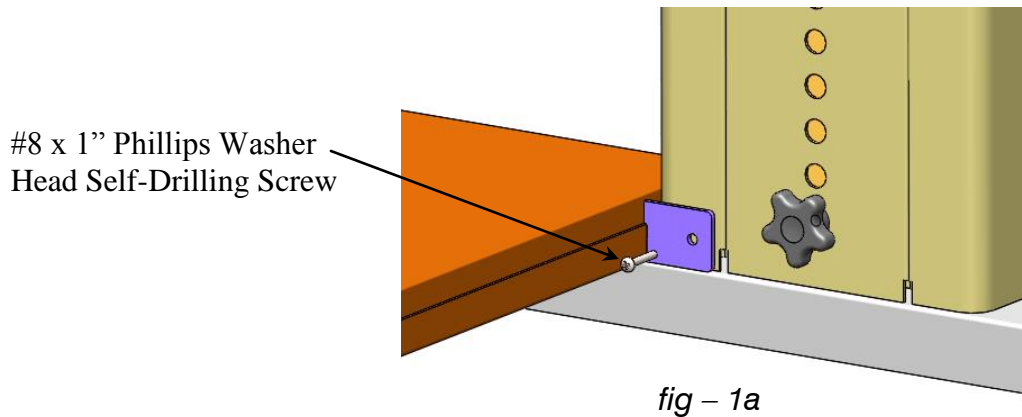
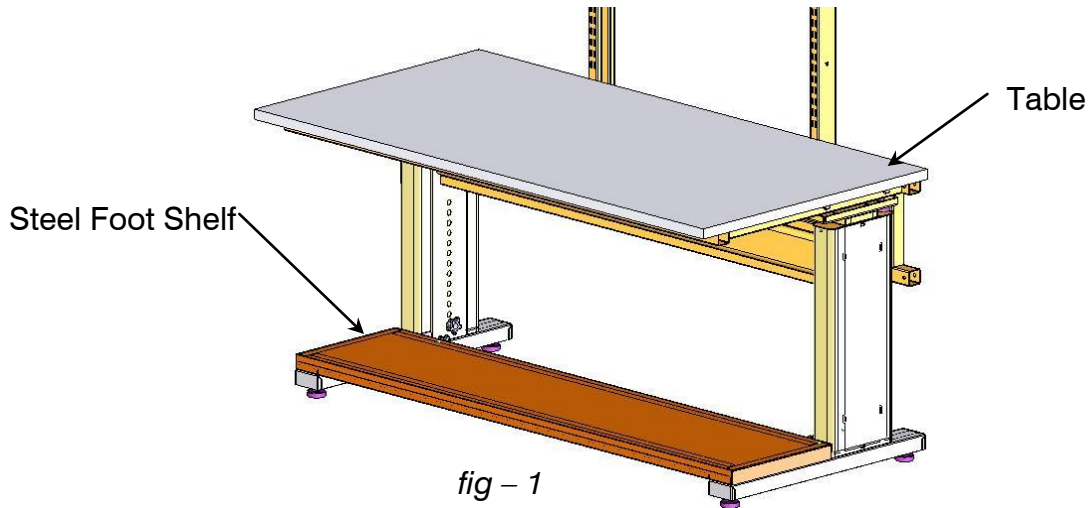


FS1336/48/60/72 – FSD1336/48/60/72

Hardware List

- 1 – Steel Foot Shelf Assembly
- 2 – #8 x 1” Phillips Head Self-Drilling Screw



The Steel Foot Shelf is installed by laying the shelf on the table feet so it is pushed against the front of the leg with the tabs between the legs as shown in *fig - 1a*. Secure the foot shelf in place by running the #8 x 1” Phillips Head Self-Drilling Screws provided into the leg through the hole in the tabs.