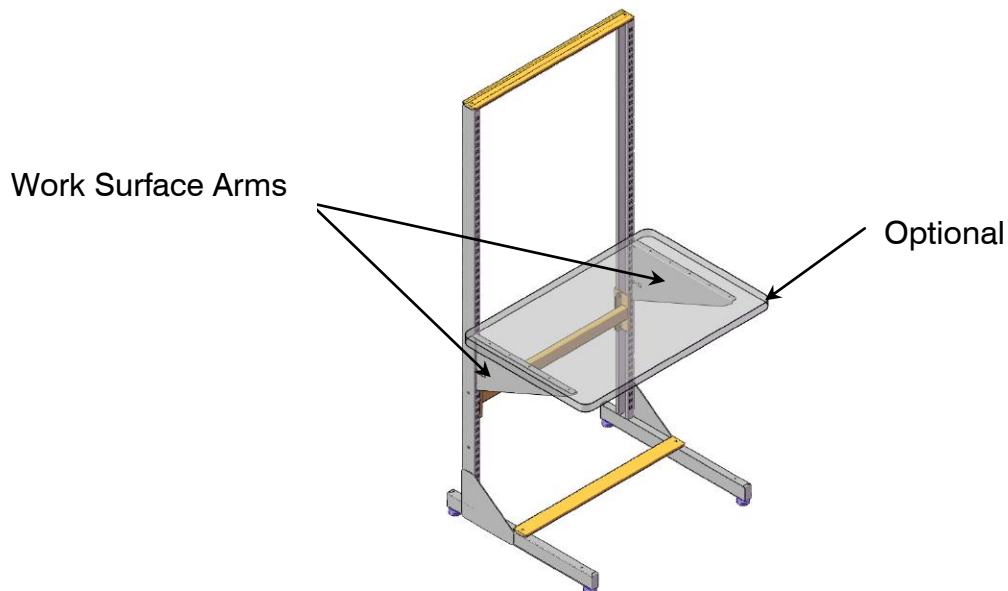


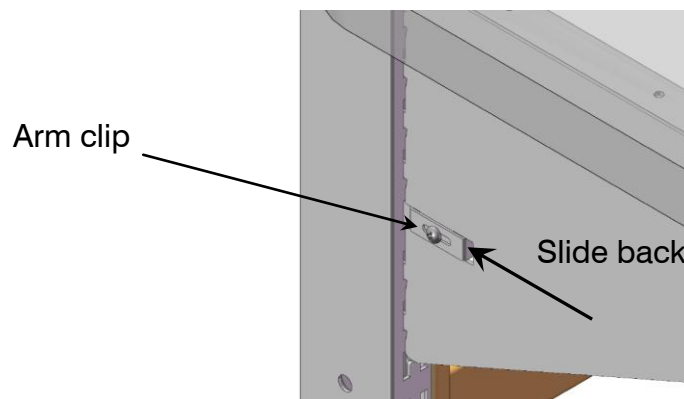
SWFA24**Hardware List**

- 2 – Work surface arms
- 2 – Arm clips
- 2 - #8-32 x 3/8" Phillips Pan Head Thread Cutting Machine Screw
- 10 - #12 x 3/4" Phillips Sheet Metal Screw

- Optional:**
1 – Work Surface

*fig – 1*

To attach the work surface arms the standing workstation frame should be completely constructed. Once the frame is constructed, insert the tabs of the arms into the slots of the uprights at the desired height. Lock the arms into position by sliding the arm clip straight back into the slot of the upright (See *fig – 2*).

*fig – 2*