

SWF6069**Hardware List**

- 3 – Slotted Uprights / Feet
- 2 - Top Cap Assemblies
- 2 – Upright Cross Bar Support
- 4 – Upright Clamp w/o Pem Fittings
- 6 – Leveler Glides
- 3 - $\frac{5}{16}$ -18 x $1\frac{1}{4}$ " Hex Head Cap Screw
- 3 - $\frac{5}{16}$ " Flat Washer
- 3 - $\frac{5}{16}$ -18 Hex Nut
- 8 - $\frac{5}{16}$ -18 x 1" Hex Head Cap Screw
- 3 - $\frac{5}{16}$ -18 x $1\frac{1}{4}$ " Type F Phillips Pan Head Machine Screw

Optional:

- 1 - Work Surface
- 2 - Work surface arms

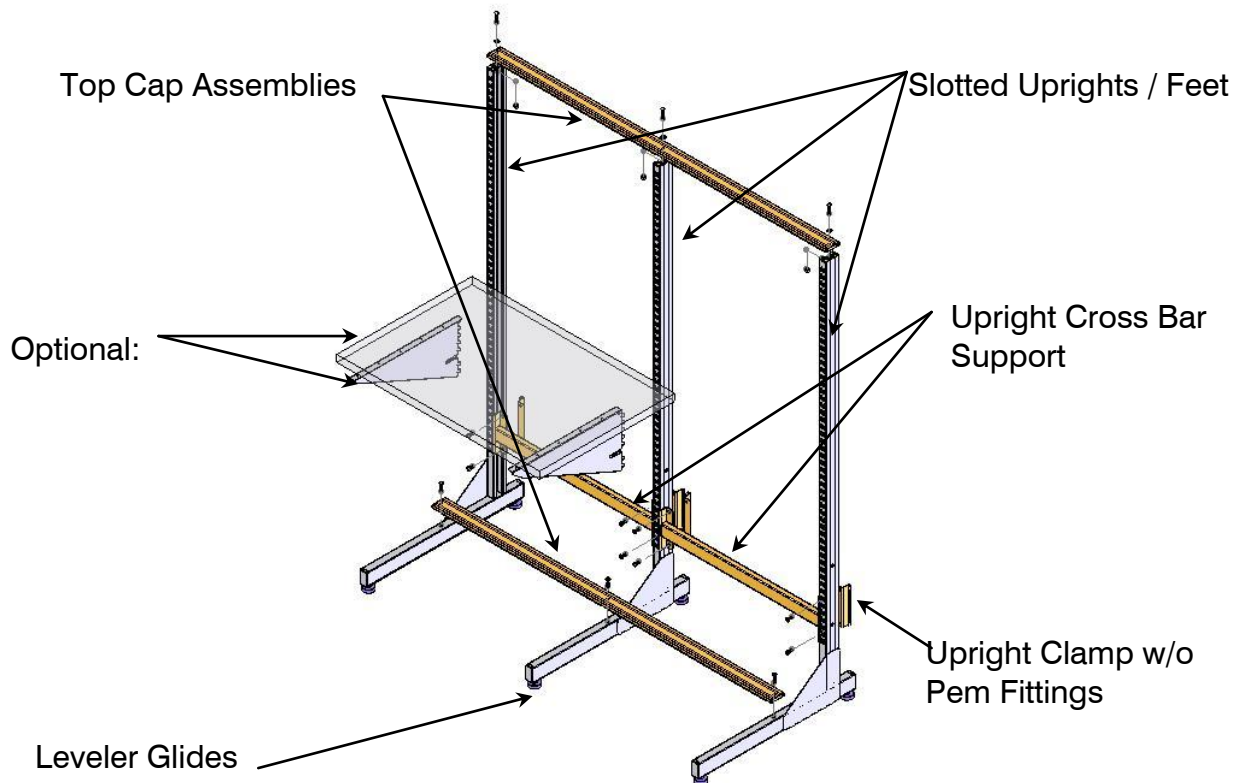


fig - 1

Caution: This Frame with the work surface is designed for light duty applications; work surface loading should not exceed 150 lbs.