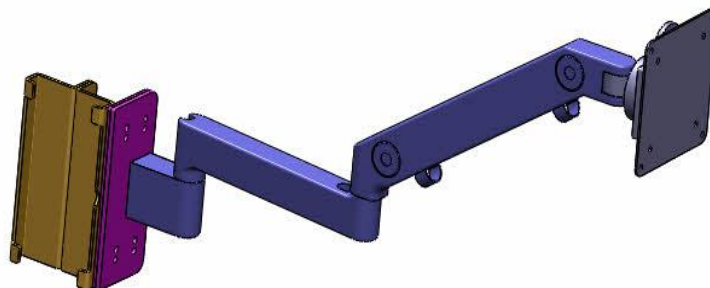


PFSMAS Pneumatic arm for Monitor Assembly

PFSMAS

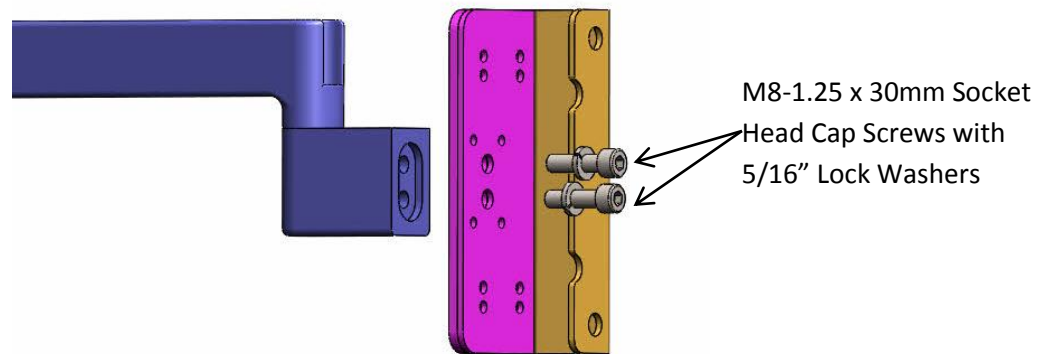
HARDWARE

- 1 - Accessory upright mounting clamp half for steel surface mounted uprights
- 2 - 5/16-18 x .75" Phillips pan head screw
- 1 - Pneumatic height adjustable flat screen monitor arm
- 1 - Ergotron monitor arm upright mounting plate/clamp bracket
- 2 - 5/16" lock washer

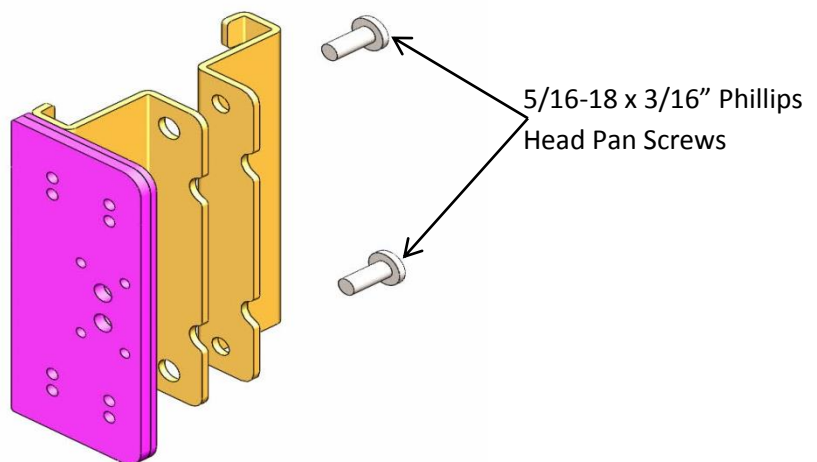


Assembly

Attach BTA-0626 Upright mounting plate to the base of the Pneumatic Keyboard Articulating Arm using the two provided M8-1.25 x 30mm Socket Head Cap Screws with the 5/16 lock washers. Use the center two holes in the mounting plate.



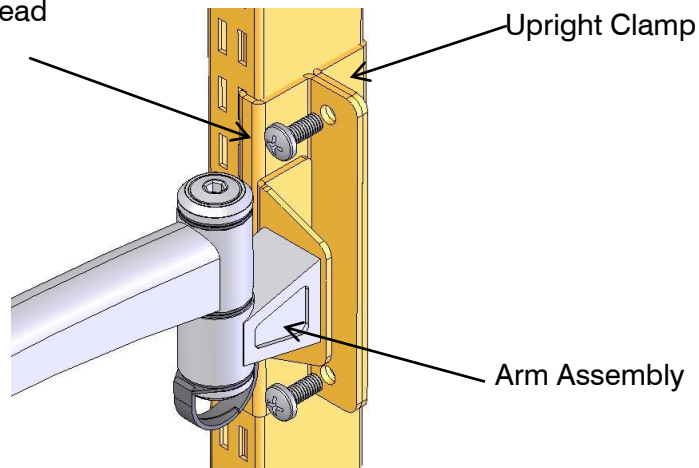
Attach BT-1539 Upright mounting plate half with the two 5/16-18 x 3/4" Phillips Head Pan Screws.



Use hardware provided with Monitor to attach Monitor to mounting plate.

PFSMAS Pneumatic arm for Monitor Assembly

5/16-18 x 3/4" Phillips Pan Head
Machine Screw



To attach the articulating arm to the upright place the arm into the desired slot on the upright. Place the other upright clamp on the other side of the upright and insert the two 5/16-18 x 3/4" Phillips Pan Head Machine Screws provided.