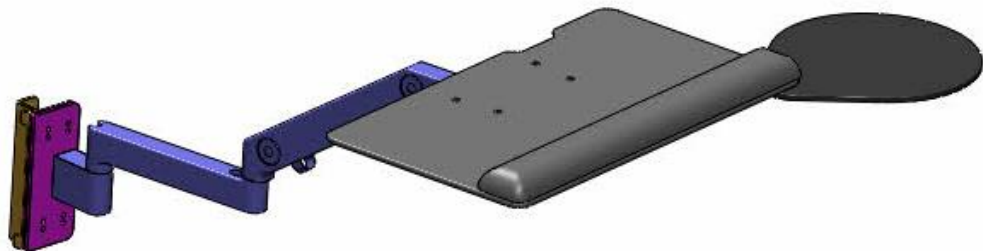


## **PKBAAS      Pneumatic arm for keyboard Assembly**

### **PKBAAS**

### **HARDWARE**

- 1 - Accessory upright mounting clamp half for steel surface mounted uprights
- 2 - 5/16-18 x .75" Phillips pan head screw
- 1 - Pneumatic keyboard articulating arm / SOR1381
- 1 - Ergotron monitor arm upright mounting plate/clamp bracket FOR STEEL UPRIGHT
- 2 - 5/16" lock washers



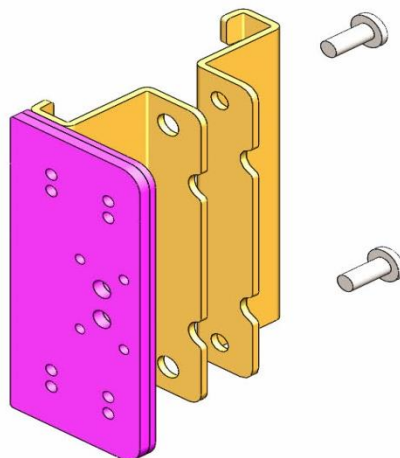
# **PKBAAS      Pneumatic arm for keyboard Assembly**

## **Assembly**

Attach BTA-0626 Upright mounting plate to the base of the Pneumatic Keyboard Articulating Arm using the two provided M8-1.25 x 30mm Socket Head Cap Screws with the 5/16 lock washers. Use the center two holes in the mounting plate.



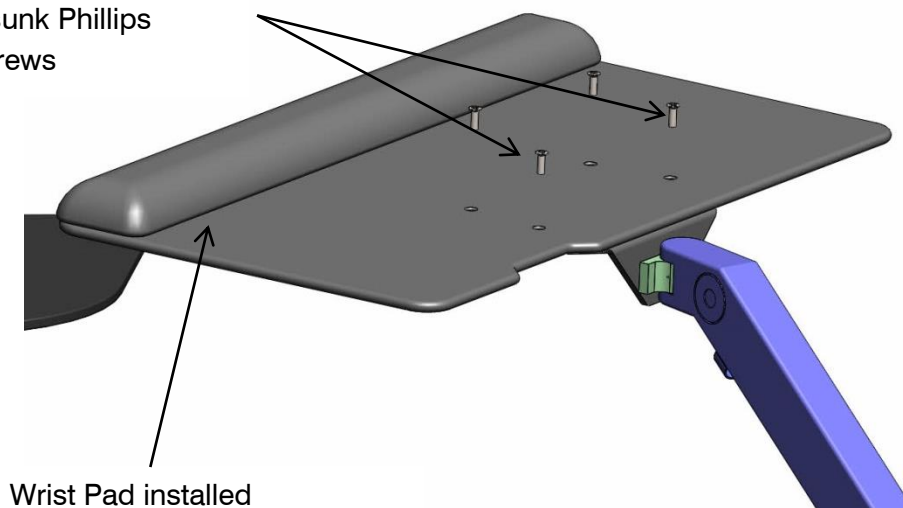
Attach BT-1539 Upright mounting plate half with the two 5/16-18 x 3/4" Phillips Head Pan Screws.



## **PKBAAS      Pneumatic arm for keyboard Assembly**

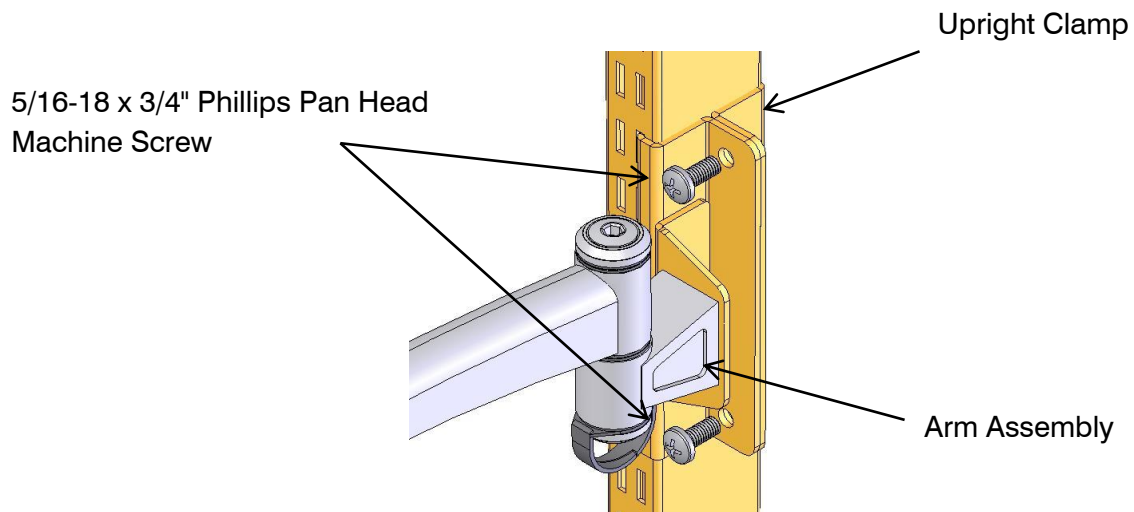
Attach the wrist pad to the end of the key board mount; side with the sticker on the key board mount facing up. The wrist rest is simply pressed into place and secured with the expanding ball clips.

4- #8-32 x 1/2"  
Countersunk Phillips  
Head Screws



Attach the keyboard mount to the bracket. Use the 4 - #8-32 countersunk Phillips Head Screws to secure the keyboard mount. The mounting bracket is threaded and 4 cap nuts have been sent for added securement.

## **PKBAAS Pneumatic arm for keyboard Assembly**



NOTE: (Arm Assembly may look different than picture)

To attach the articulating arm to the upright place the arm into the desired slot on the upright. Place the other upright clamp on the other side of the upright and insert the two 5/16-18 x 3/4" Phillips Pan Head Machine Screws provided.