

PH1313/PH1322

KT1907

Platform/VDT Holder 13" x 13"

Platform/VDT Holder 13" x 22"

Keyboard Tray 19" x 7"

PH1313/PH1322

Hardware List

- 1 – Articulating Arm
- 1 – Platform/Holder Assembly
- 1 – $\frac{1}{4}$ -20 x 1" Hex Head Cap Screws
- 1 – $\frac{1}{4}$ Fender Washer
- 2 – Spacer Washers

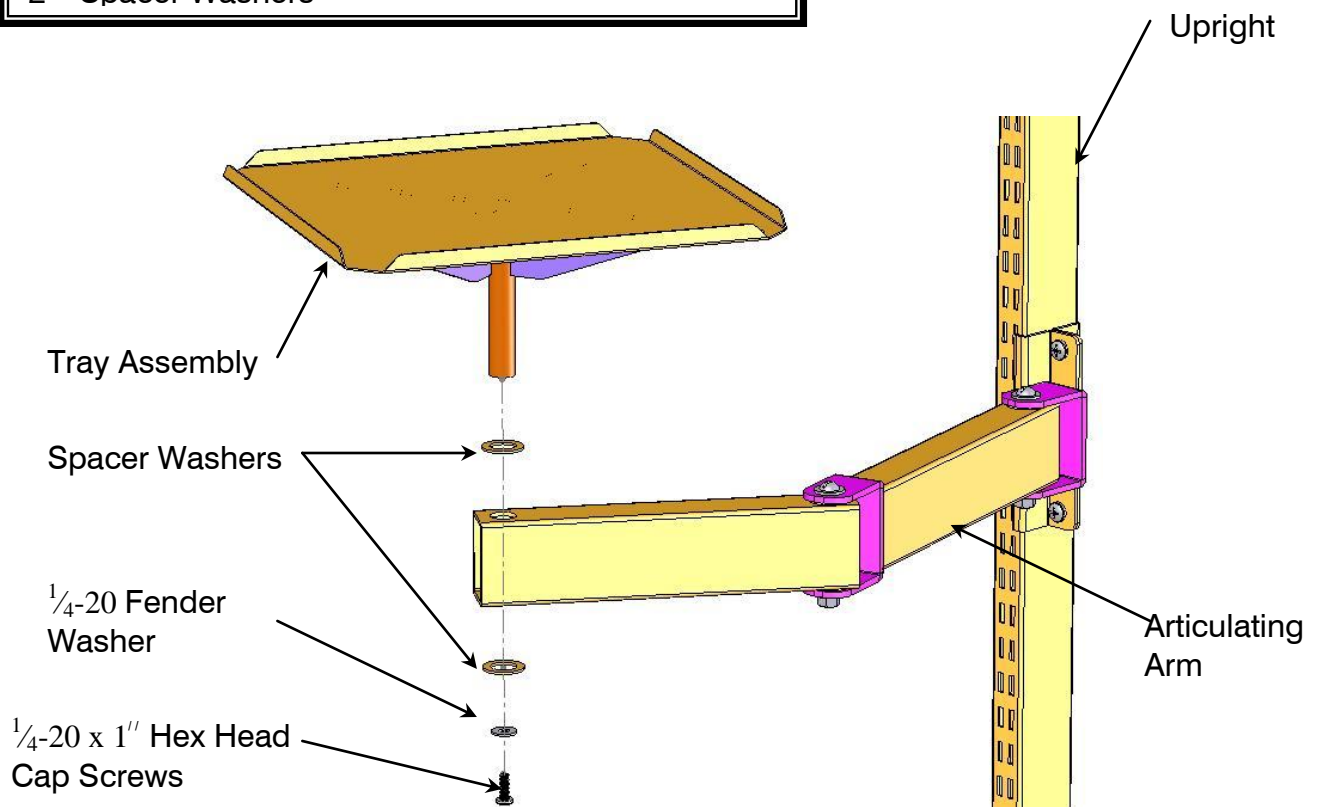


fig - 1

Select the slots on the upright that will provide the desired articulating arm position. Insert both sides of the clamp assembly and secure with the two screws provided. Mount the tray assembly onto the arm through the end holes on the articulating arm, placing a spacer washer between the arm and the tray assembly. Place a spacer washer and the $\frac{1}{4}$ -20 Fender washer on the bottom of the articulating arm and secure with the $\frac{1}{4}$ -20 x 1" Hex Head Cap Screw provided. (See fig - 1)

KT1907 Keyboard Holder

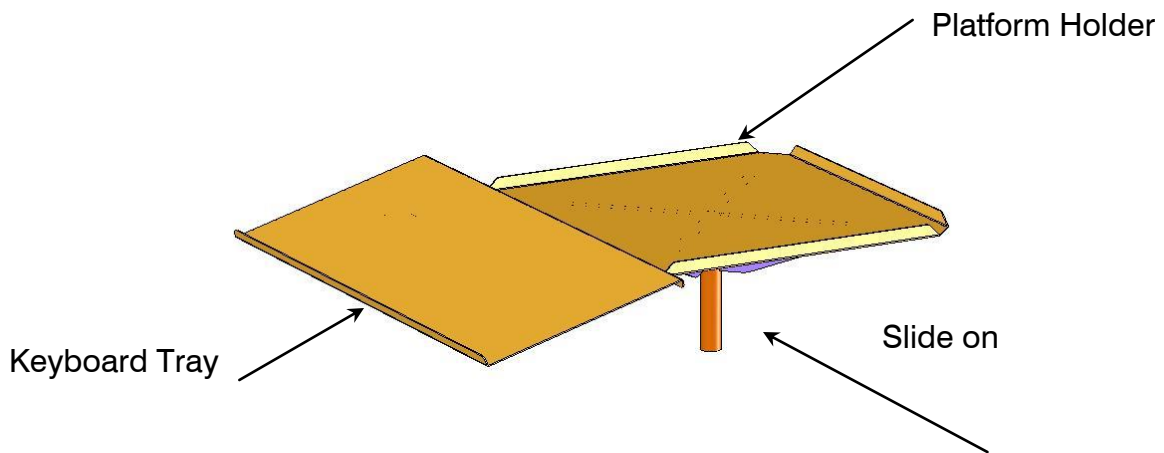


fig - 2

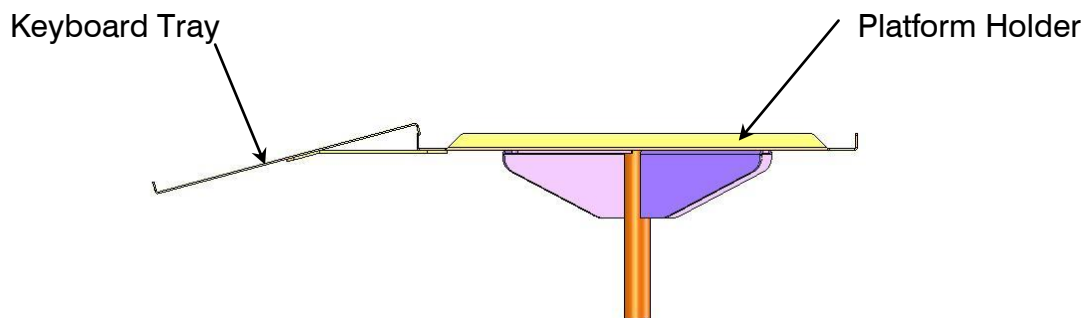


fig - 3

The keyboard holder is installed on either the 13" x 13" or the 13" x 22" Platform Holder by sliding it on the front lip of the Platform Holder from the side.