

8-Outlet Power Bar & Optional Accessory Assembly

Part# - PWRBAR815SB - 8-Outlet Power Bar, 15A

Part# - PWRBAR820SB - 8-Outlet Power Bar, 20A

Item	Components	Qty
A	Power bar assembly	1
B	Rear locking bracket	2
C	#10-32 wing nut	4

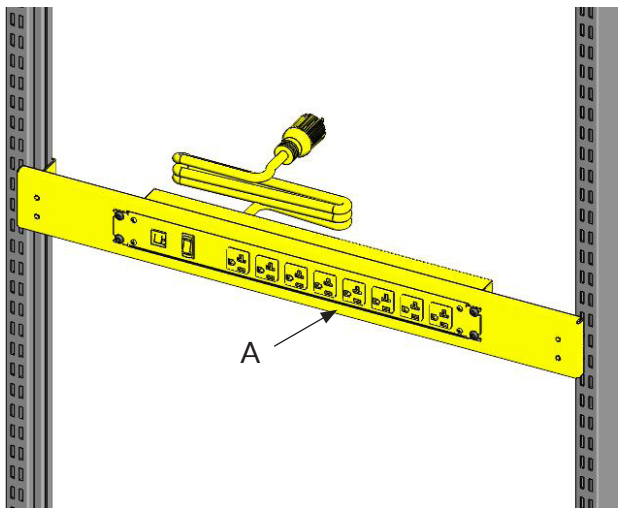


Fig-1

1 Insert power bar assembly (A) into slotted uprights at the desired position (Fig-1)

- 2** Optional Locking Brackets:
- A. Insert rear locking brackets (B) into slots on back side of uprights so the brackets align with threaded studs on power bar assembly (A) (Fig-2).
 - B. Secure the brackets to power bar assembly (A) with four #10-32 wings nuts (C) (Fig-3).

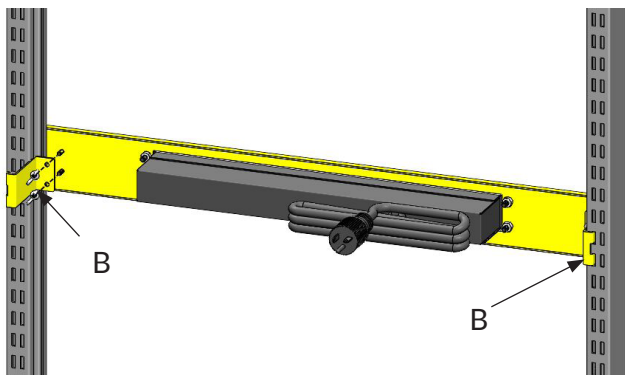


Fig-2

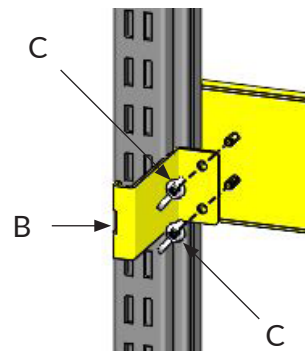


Fig-3

8-Outlet Power Bar & Optional Accessory Assembly

Part# - HPBWM Horizontal Power Bar Work Surface Mount

Tool List

Impact driver with #2 Phillips bit

Drill with 5/64" drill bit

Item	Components	Qty
D	Mounting brackets	2
E	#8 x 3/4" Phillips pan head sheet metal screw	4
F	#8 x 1" Phillips truss washer head self-drilling screw	4

*Extra hardware may be included

Mounting on Work Surface (Fig-5)

- 1 Place one mounting bracket (D) in desired position on surface and mark through mounting holes for pre-drilling
- 2 Pre-drill with 5/64" drill bit and secure bracket (D) to surface with #8 x 3/4" Phillips pan head sheet metal screws (E)
- 3 Measure 28-7/16" between mounting brackets (D) (Fig-4) and repeat steps 1 and 2 to secure remaining bracket

Mounting brackets can also be installed under the work surface

Mounting on Metal Deck Frame (Fig-6)

- 1 Place one mounting bracket (D) in desired position on steel deck frame and secure with #8 x 1" Phillips truss washer head self-drilling screws (F)
- 2 Measure 28-7/16" between mounting brackets (D) (Fig-4) and secure remaining bracket to steel deck frame with #8 x 1" Phillips truss washer head self-drilling screws (F)



Fig-4

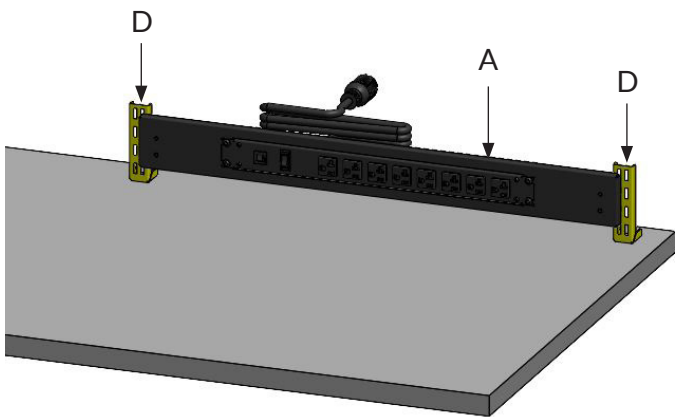


Fig-5

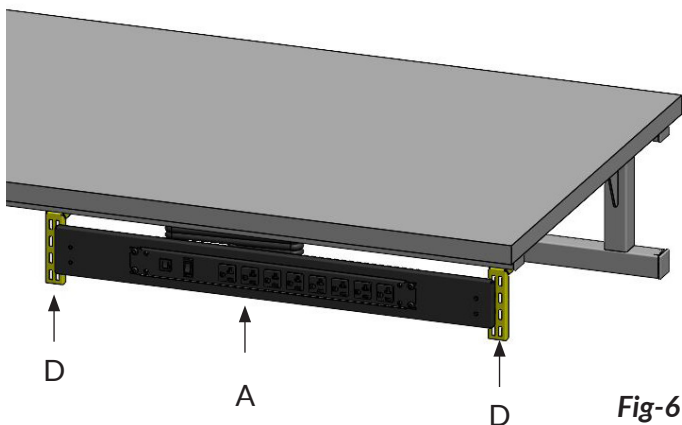


Fig-6