

Pull-Out Keyboard Tray & Work Surface Assembly

Tool List

#3 Phillips screwdriver, or
impact driver with #3 Phillips bit

Part # POK2118, POK2114
Pull-Out Keyboard Tray

Part # PO1118
Pull-Out Work Surface

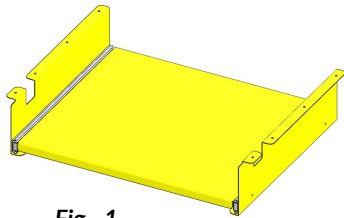


Fig - 1

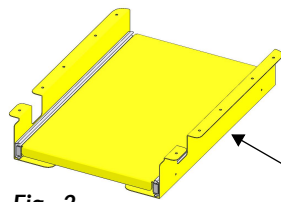


Fig - 2

Side mounting brackets

Item	Components*	Qty
A	Pull-out keyboard tray or pull-out work surface assembly	1
B	#12 x 3/4" Phillips pan head sheet metal screw	10

*Extra hardware may be included

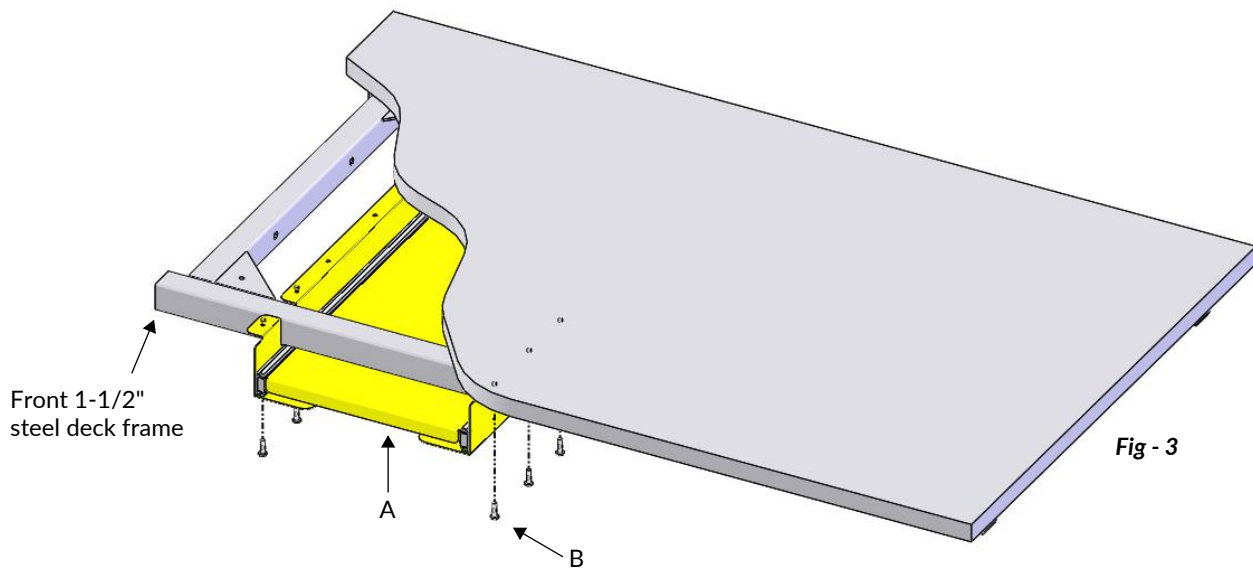


Fig - 3

- 1 Position pull-out assembly (A) under workstation in desired location with the side mounting brackets fitting around the front 1-1/2" steel deck frame.
- 2 Secure the pull-out assembly (A) to the underside of the work surface using the #12 x 3/4" Phillips pan head sheet metal screws (B) provided (See Fig - 3).