

$\frac{5}{16}$ -18 x $\frac{3}{4}$ " Hex
Head Cap Screw

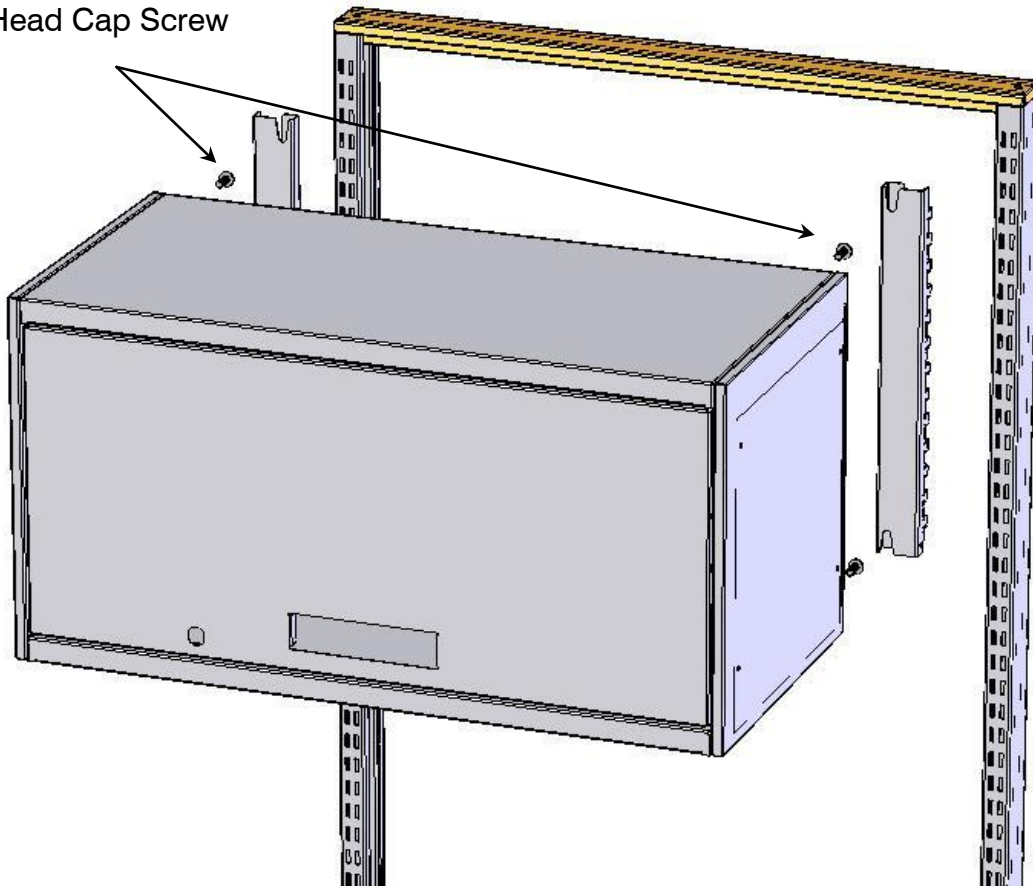


fig - 1

The Boston Technical Furniture Storage Cabinet mounts on the slotted uprights using a mounting bracket. First, locate and install the brackets in the desired slots on the upright. The brackets are mirrored, and should be installed with teeth in the outside row of slots on the slotted upright. Once the bracket is in the proper slots it should be secured by tapping it down into position with a hammer. Next, install the $\frac{5}{16}$ -18 x $\frac{3}{4}$ " Hex Head Cap Screws into the back of the cabinet with the head of the bolt facing the uprights. The $\frac{5}{16}$ -18 x $\frac{3}{4}$ " Hex Head Cap Screw should be screwed into the cabinet until there is a space of approximately $\frac{1}{8}$ " between the bolt head and the back of the Storage Cabinet. Hang the cabinet by placing the bolt heads into the "v" bracket. (See fig - 1)

PD3030/3036/3048/3060	Hardware List
1 – Table Base	
2 – Top rails – Left and Right Version	
2 – Feet	
1 – Actuator	
2 - 3/8-16 x 1 1/2" Hex Bolt	
2 - 3/8-16 Hex Nut	
1 – Work Surface / Optional	
4 – 5/16-18 x 1" Hex Head Machine Screw	
4 – 5/16-18 x 1" Button Head Machine Screw	
10 – #12 x 3/4 Pan Head Sheet Metal Screw	
1 – Linear Actuator Mounting Spacer	

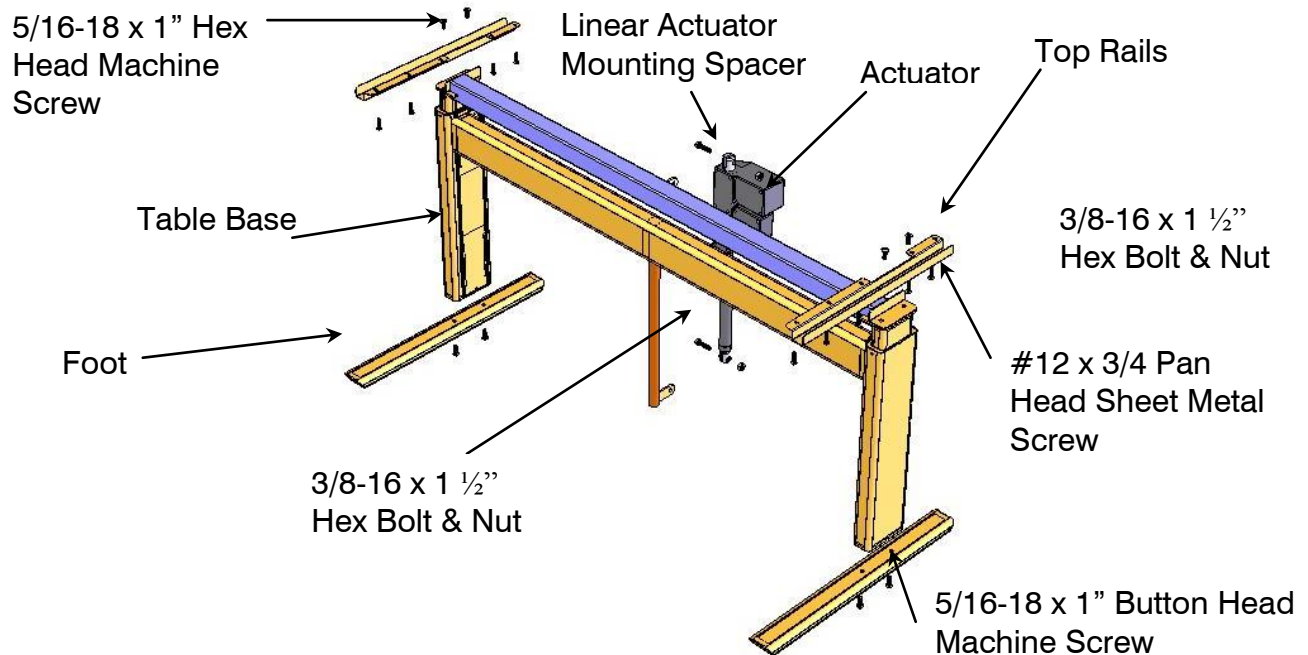


fig – 1

Attach the feet by inserting the 5/16-18 x 1" Button Head Machine Screws into the feet and tighten into the leg sections. The top rails are secured much the same way. Loosen the 5/16-18 x 1" Hex Head Machine Screws at the top of the base unit, add the top rails, slide into place and tighten them down into the top of the leg sections. Secure the actuator assembly by inserting the 3/8-16 x 1 1/2" Hex Bolt into the actuator and tighten the 3/8 Hex Nut. Once the actuator is installed reference the actuator details on page 12 and 13 for plug-in locations. The work surface screws are to be inserted up through to top rails and into the work surface.