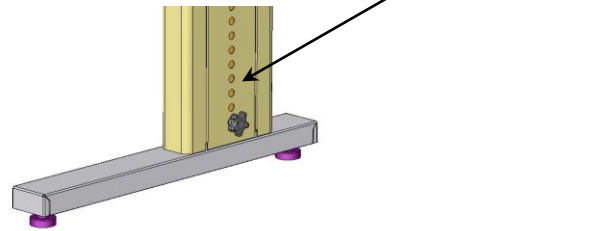


**1. Set Work Surface Height**

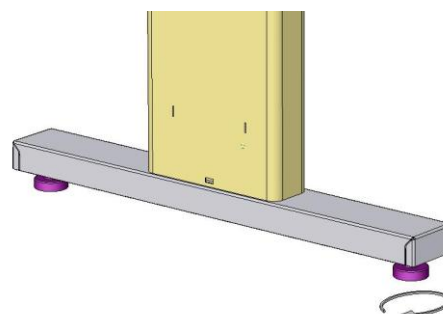
To change the work surface height, remove the large hand screw inside the fixed leg assembly while lifting up on work surface. The telescoping leg section is now free. Reposition the leg to the desired height and replace the hand screw. (See *fig - 1*)



*fig - 1*

**2. Level Table Feet**

Move the table to its chosen location being careful not to drag the feet on the floor. Once the table is positioned, level the feet using a **1/2" open-end wrench** to rotate and adjust the height of the four levelers under the feet. This adjustment is designed to compensate for uneven floors and level the feet left to right and front to back. (See *fig - 2*)



*fig - 2*

### 3. Level the Deck

After the table has been positioned and the levelers adjusted, check the work surface to insure it is level front to back. If the work surface needs to be leveled, loosen the two deck bolts on each side, lift the front of the deck and rotate the leveler that is connected to the inner leg until the work surface is level. Tighten the four deck mounting bolts. (See fig – 3)

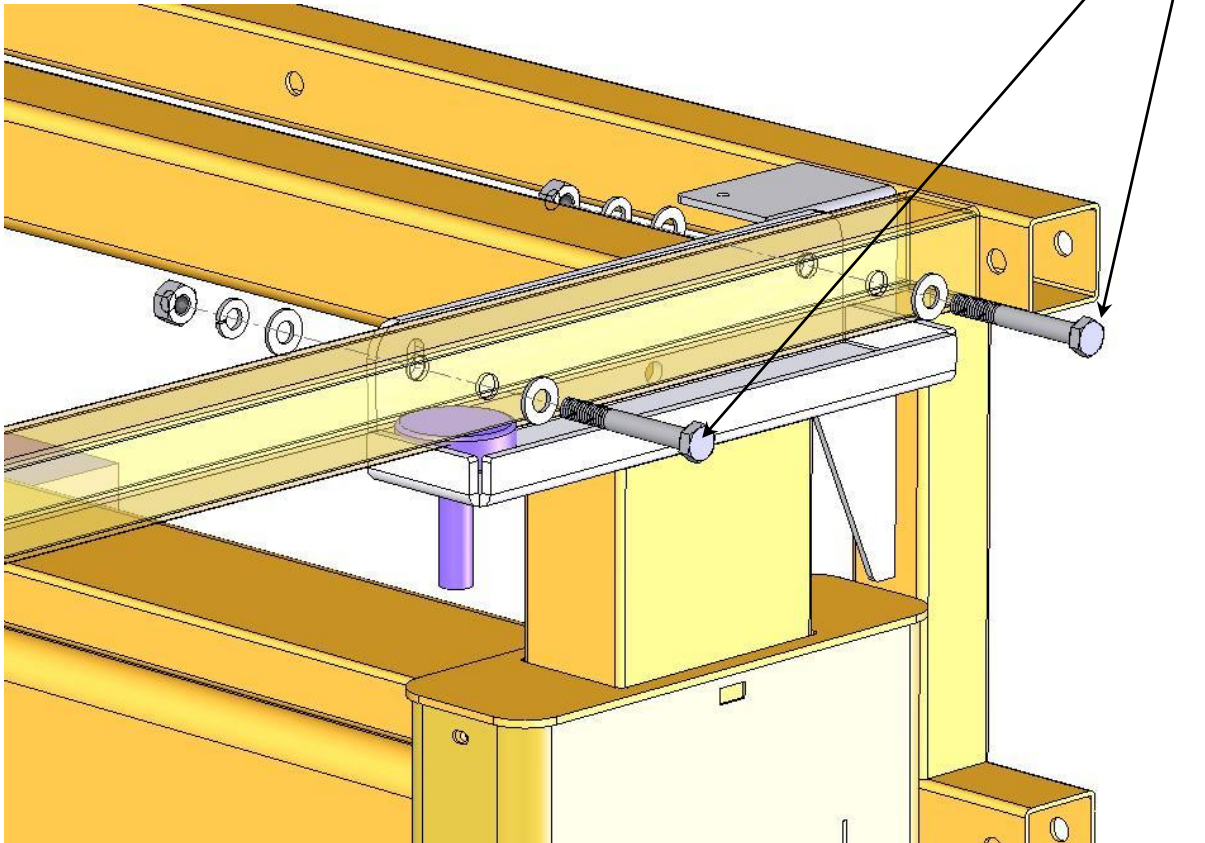


fig – 3

**Caution:** When adjusting the deck via the leveling screw you must lift the front of the deck to remove the weight off the leveling screw or you will not be able to turn it.

**Caution:** The leveling feet provide positive contact with the floor, dragging a table across the floor can twist the leg sections.