

AS1828/AS2428	Hardware List
1	Adjustable Shelf
2	Shelf Brackets
2	$\frac{1}{4}$ -20 x $\frac{3}{4}$ " Phillips Pan Head Machine Screws
2	$\frac{1}{4}$ -20 Kep Nuts
2	$\frac{1}{4}$ -20 x $\frac{3}{4}$ " Knob with Threaded Shaft
2	Square Pem Plate

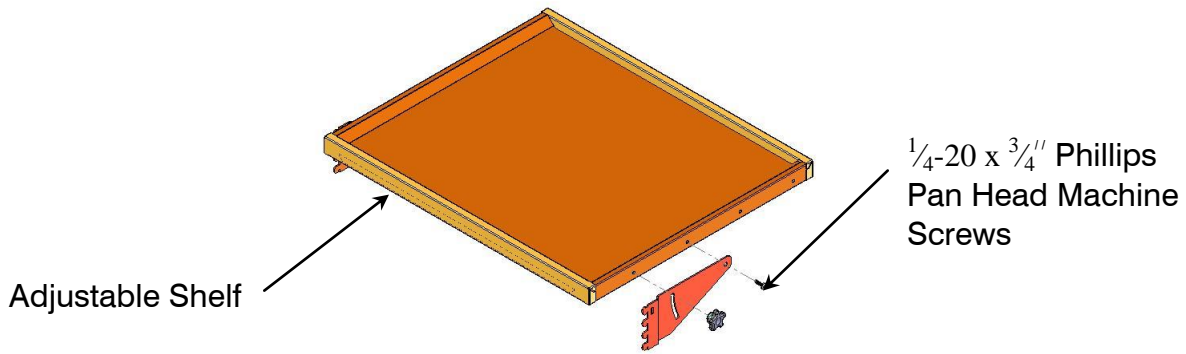
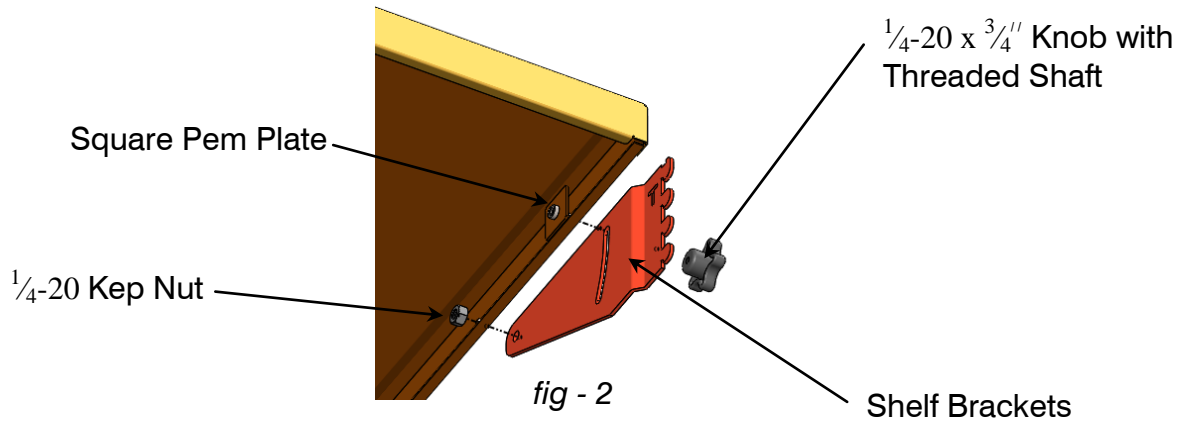


fig - 1

Insert the $\frac{1}{4}$ -20 x $\frac{3}{4}$ " Phillips Pan Head Machine Screw through the shelf bracket and attach with a $\frac{1}{4}$ -20 Kep Nut on the inside of the Adjustable Shelf. Next, insert the $\frac{1}{4}$ -20 Knob through the shelf bracket and attach to the Square Pem Plate on the inside of the Adjustable Shelf. (See fig - 1 & fig - 2)



Shelf Configurations

Adjustable wire shelf
dividers are also
available for the
AS1828 / AS2428

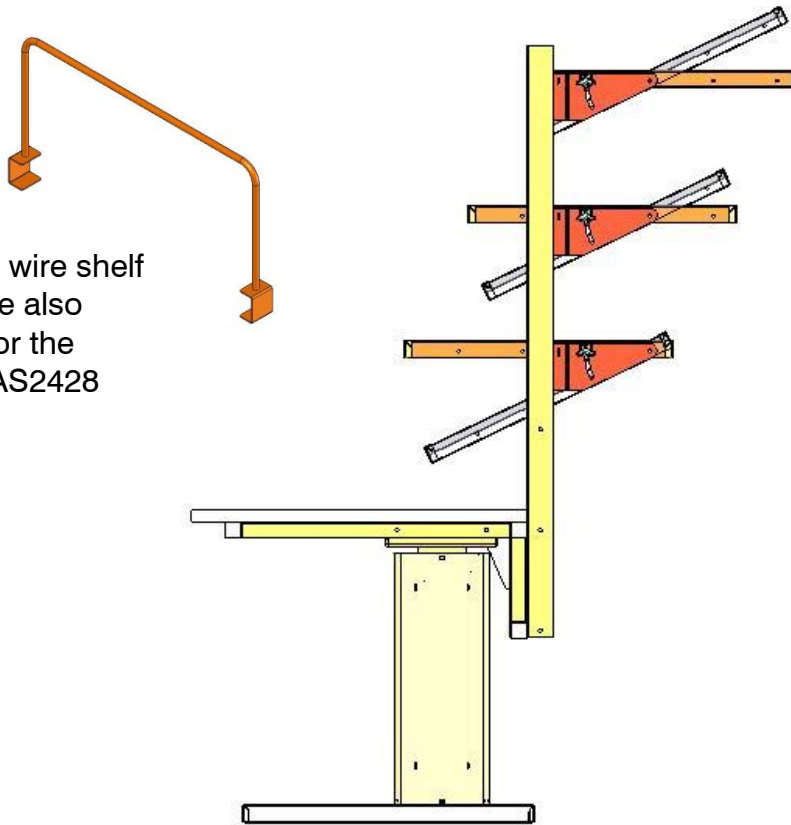


fig - 3

Determine the desired position of the shelf in the uprights. Mount the assembled shelf in the uprights by tilting the shelf and inserting the top tooth of the shelf bracket in the upright. Rock the shelf down into position with the brackets teeth inserted into the upright. (See *fig - 4*) Push the shelf straight down to lock the shelf in place. (See *fig - 5*) The shelf can be tilted by loosening the knob and adjusting to the desired position.

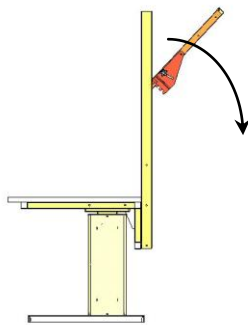


fig - 4

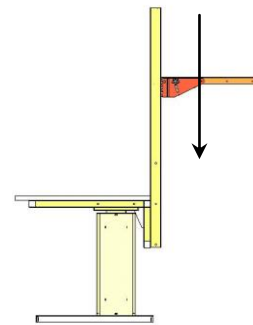


fig - 5