

Wire Management Trough

Part# - WT0210 - Wire Management Trough

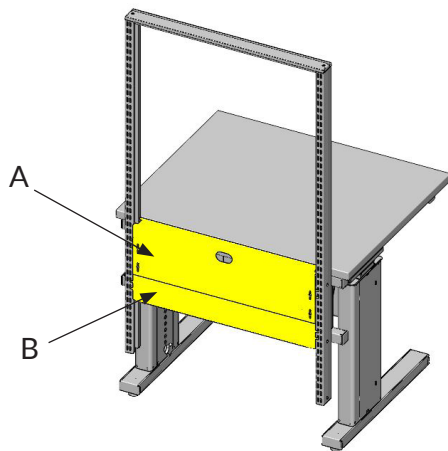


Fig-1

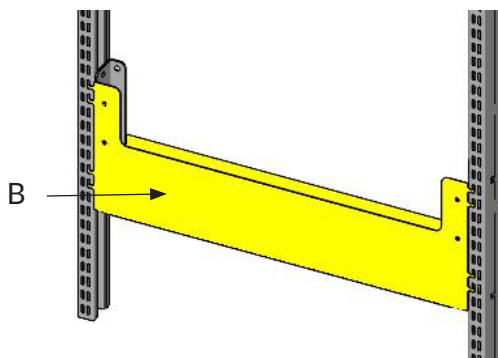


Fig-2

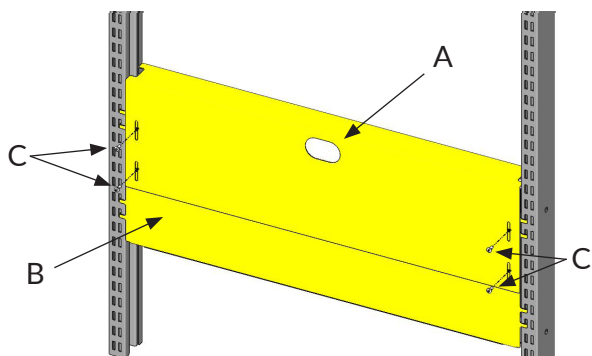


Fig-3

Tool List

#2 Phillips screwdriver, or

Impact driver with #2 Phillips bit

Item	Components	Qty
A	Wire management trough cover	1
B	Wire management trough assembly	1
C	#8-32 x 3/8" Phillips pan head machine screw	4

- 1 Mount wire management trough assembly (B) into slotted uprights at desired position preferably behind the workstation and below the work surface (Fig-2).
- 2 Feed wires into the wire management trough assembly (B) from the sides or through the opening at the bottom.
- 3 Place wire management trough cover (A) over the wire management trough assembly (B). Secure with four #8-32 x 3/8" Phillips pan head machine screws (C) (Fig-3).

Connectors to the power supply can be pulled out from the opening on the wire management trough cover (A).