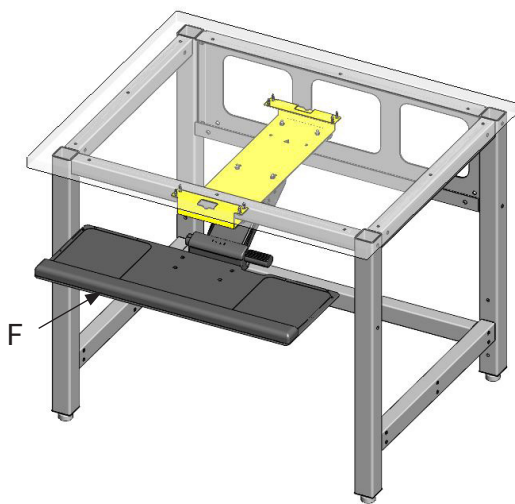
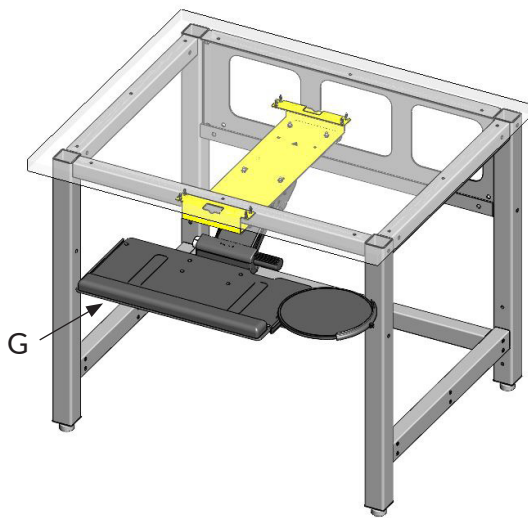


## Under Work Surface Keyboard Trays



### Tool List

#2 Phillips screwdriver

3/8" nut driver or wrench

Impact driver with #3 Phillips bit

Part # UWKMS - Under Work Surface Keyboard Tray with Detachable Mouse Platform

Item	Components	Qty
A	#10-32 x 1/2" Phillips pan head machine screw	6
B	#10-32 Kep nut	6
C	Keyboard track mounting bracket	1
D	Keyboard track	1
E	#12 x 3/4" Phillips pan head sheet metal screw	8
G	Keyboard tray with detachable mouse platform assembly	1

Part # UWKMP - Under Work Surface Keyboard and Mouse Tray

Item	Components	Qty
A	#10-32 x 1/2" Phillips pan head machine screw	6
B	#10-32 Kep nut	6
C	Keyboard track mounting bracket	1
D	Keyboard track	1
E	#12 x 3/4" Phillips pan head sheet metal screw	8
F	Keyboard and mouse tray assembly	1

## Under Work Surface Keyboard Trays

- 1 Align the holes on keyboard track (D) with the holes on keyboard track mounting bracket (C) as shown in Fig-1. These two pieces should be nearly flush on the end where the keyboard track rear tab stops are located. Use six #10-32 x ½" Phillips pan head machine screws (A) and six #10-32 Kep nuts (B) to connect keyboard track mounting bracket (C) and keyboard track (D) (Fig-2).

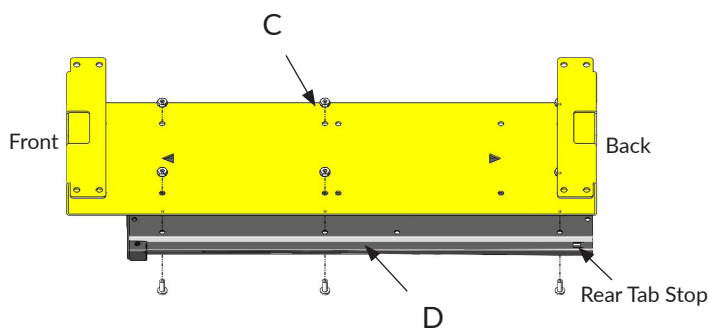


Fig-1

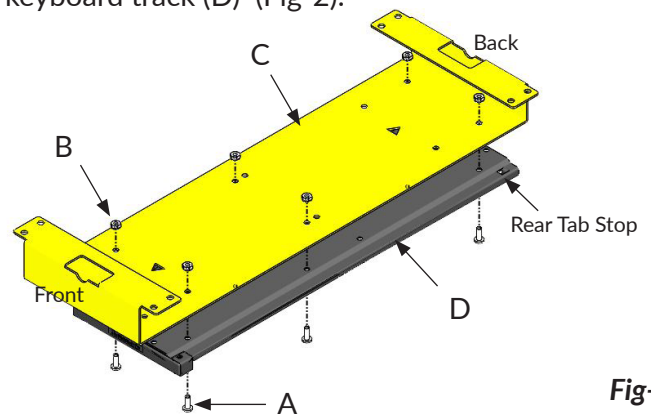


Fig-2

- 2 Mount the keyboard track mounting bracket (C) with keyboard track (D) attached to the underside of the work surface using eight #12 x ¾" Phillips pan head sheet metal screws (E). For optimal use, mount the front of the bracket outside the front rail of the workstation (Fig-3).

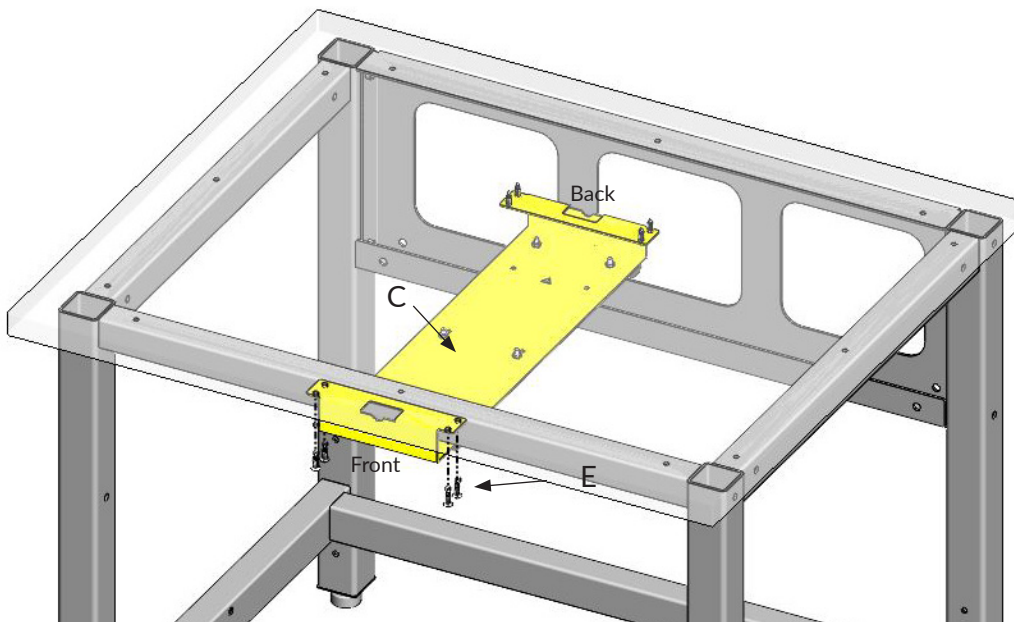


Fig-3

- 3 Refer to the manufacturer's assembly instructions on how to mount the keyboard tray with/without mouse platform to the keyboard track (D).