

Upright Mounted Scanner Bracket

Part# - UMSB - Upright-Mounted Scanner Bracket

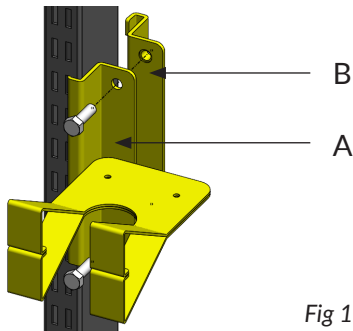


Fig 1

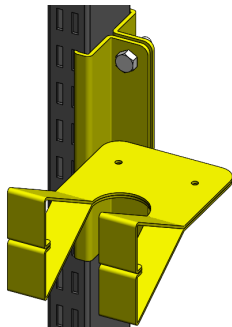


Fig 2

Tool List

Ratchet with 1/2" socket

Item	Components	Qty
A	Upright mounted scanner bracket	1
B	Rear bracket	1
C	5/16-18 x 1" hex head cap screws	2

- 1 Hook upright mounted scanner bracket (A) and rear bracket (B) into desired position on slotted upright (Fig 1).
- 2 Secure the brackets to upright using two 5/16-18 x 1" hex head cap screws (C) (Fig 2).