

Trolley Frame

Part# - TTF3073 Trolley Frame

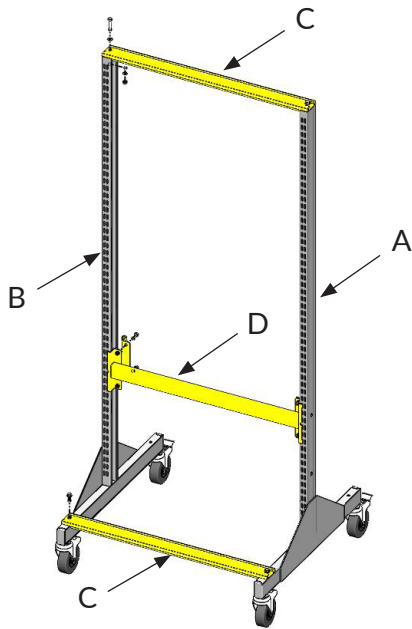


Fig-1

Tool List

1/2" wrench

Ratchet with 1/2" socket, or impact driver with 1/2" socket

Part # TTF3073 - Trolley Frame

Item	Components	Qty
A	Right hand 69" upright frame	1
B	Left hand 69" upright frame	1
C	30" top/bottom cross bar	2
D	30" cross support rail	1
E	Rear support rail bracket	2
F	5/16-18 x 1" hex head cap screw	4
G	5/16-18 x 1-1/2" hex head cap screw	2
H	5/16" flat washer	2
I	5/16" lock washer	2
J	5/16-18 hex nut	2
K	5/16-18 x 1" hex washer head thread cutting screw	2

Trolley Frame

- 1 Join the right hand upright frame (A) and the left hand upright frame (B) using the 30" cross support rail (D) (Fig-2). Hook the cross support rail (D) into the front side of the upright frame at desired height. Insert the two rear support rail brackets (E) into the rear side of the upright frame at the same height. Secure the cross support rail (D) and the rear support rail brackets (E) to upright using four 5/16-18 x 1" hex head cap screws (F) (Fig-3).

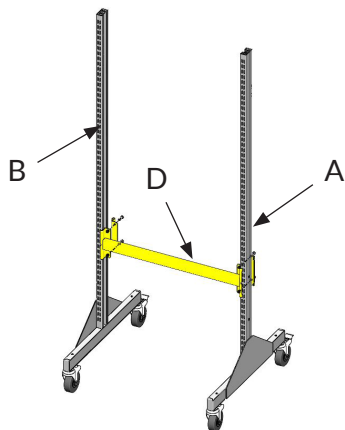


Fig-2

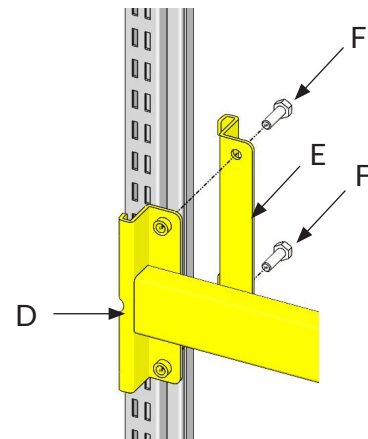


Fig-3

- 2 Secure the 30" top cross bar (C) to the upright frames (A and B) using two 5/16-18 x 1-1/2" hex head cap screws (G), 5/16" flat washers (H), 5/16" lock washers (I), and 5/16-18 Hex nuts (J) (Fig-5).
- 3 Secure the 30" bottom cross bar (C) to the upright frames (A and B) using two 5/16-18 x 1" hex washer head thread cutting screws (K) (Fig-6).

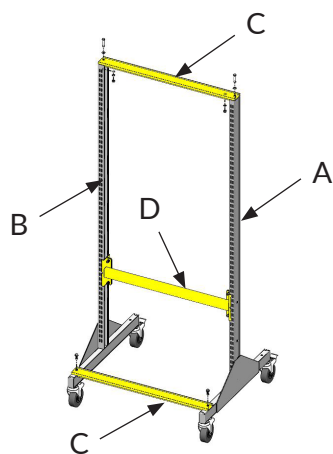


Fig-4

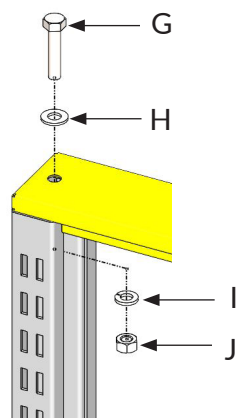


Fig-5

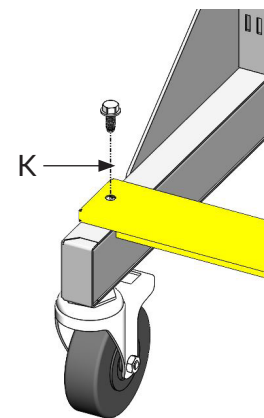


Fig-6