

Standing Workstation Frame Arms

Part# - SWFA24 Work Surface Support arms (pair)

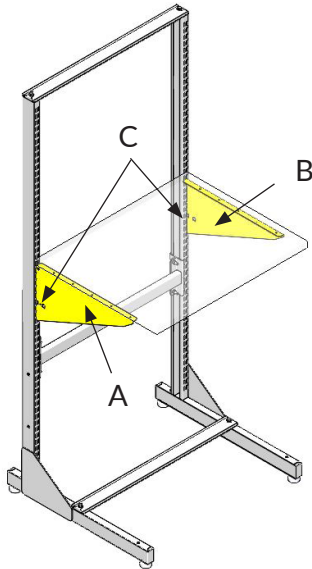


Fig-1

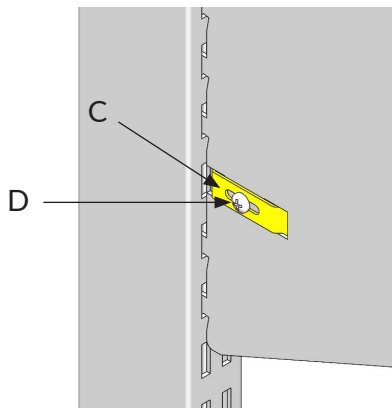


Fig-2

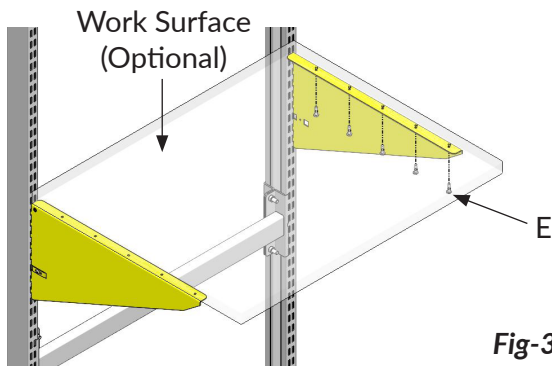


Fig-3

Tool List

#2 Phillips screwdriver

#3 Phillips screwdriver or impact driver with #3 Phillips bit

Part # SWFA - Work Surface Support Arms (Pair)

Item	Components	Qty
A	Left hand support arm	1
B	Right hand support arm	1
C	Support arm security clip	2
D	#8-32 x 3/8" Phillips pan head thread cutting machine screw	2
E	#12 x 3/4" Phillips pan head sheet metal screw	10

- 1 To attach the work surface support arms (A and B), the standing workstation frame should be completely constructed. Insert the tabs of the support arms (A and B) into the slots of the uprights at the desired height.
- 2 Lock the support arms into position by sliding the support arm security clips (C) into the slots of the uprights (Fig-2). Tighten the two #8-32 x 3/8" Phillips pan head thread cutting machine screws (D) on the support arm security clips (C).
- 3 Attach the work surface (optional) to the support arms (A and B) with ten #12 x 3/4" Phillips pan head sheet metal screws (E) (Fig-3).