

Power Tool Holder

Part# - PTH - Power Tool Holder

Mounted under work surface

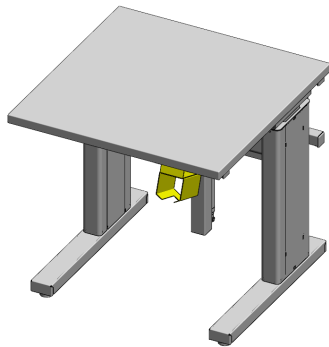
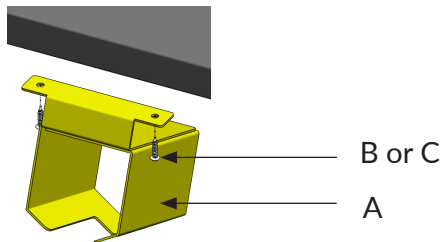


Fig 1

Mounted under SHXX30 shelving

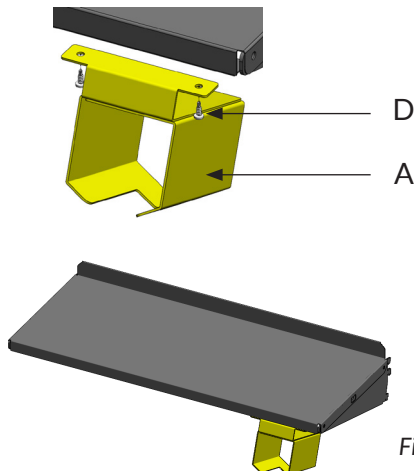


Fig 2

Tool List

Impact driver with #2 and #3 Phillips bit

Item	Components	Qty
A	Power tool holder assembly	1
B	#12 x 3/4" Phillips pan head sheet metal screw	2
C	#8 x 5/8" Phillips truss head sheet metal screw	2
D	#8 x 1/2" Phillips pan head self-drilling screw	2

- 1 Mount the power tool holder assembly (A) to the underside of the work surface using two #12 x 3/4" Phillips pan head sheet metal screws (B) or two #8 x 5/8" PHillips truss head sheet metal screws (C) (Fig 1).

The "B" screw is for mounting the PTH under a laminate or stainless steel work surface.

The "C" screw is for mounting the PTH under a phenolic resin work surface. For this screw, the customer will need to pre-drill the phenolic resin work surface with a 9/64" drill bit before installing the holder.

- 2 Mount the power tool holder assembly (A) to the underside of SHXX30 shelving using two #8 x 1/2" Phillips pan head self-drilling screws (D) (Fig 2).