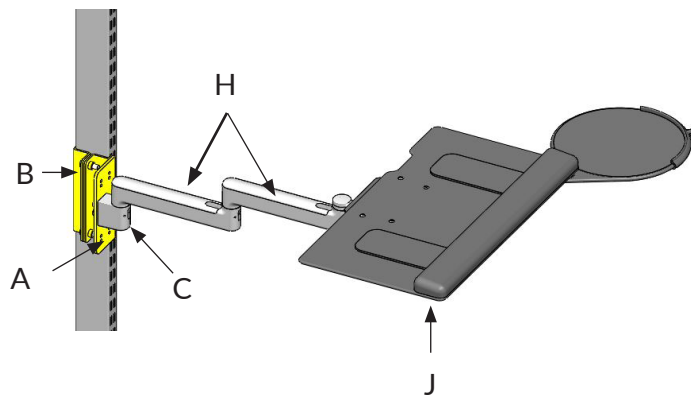
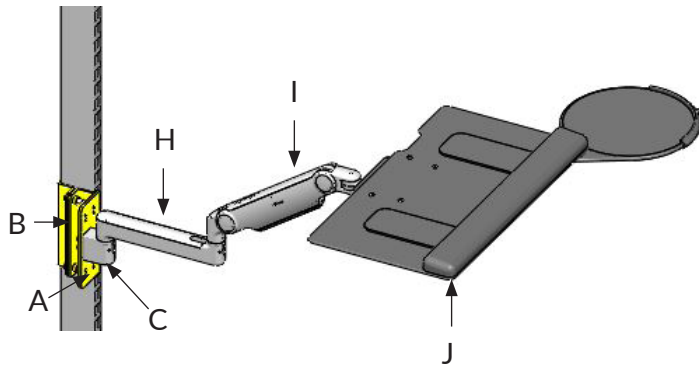


Keyboard Tray with Mouse Pad Arm Upright Assembly



Tool List

Ratchet with 1/2" socket

5mm hex wrench

#2 Phillips screwdriver

Part # PKBAA - Pneumatic Height Adjustable Keyboard Tray

Item	Components	Qty
A	Upright mounting clamp half with plate	1
B	Upright mounting clamp half without plate	1
C	Keyboard tray arm mounting block	1
D	5/16" lock washer	2
E	M8-1.25 x 30mm socket head cap screw	2
F	5/16-18 x 1" hex head cap screw	2
G	Keyboard tray arm smart stop ring	2
H	Keyboard tray arm fixed link	1
I	Keyboard tray arm adjustable link with mountingbracket	1
J	Keyboard tray platform with mouse pad	1
K	Acorn nuts	4
L	Flat head screws	4

Part # KBAA - Articulating Keyboard Tray with Mouse Pad

Item	Components	Qty
A	Upright mounting clamp half with plate	1
B	Upright mounting clamp half without plate	1
C	Keyboard tray arm mounting block	1
D	5/16" lock washer	2
E	M8-1.25 x 30mm socket head cap screw	2
F	5/16-18 x 1" hex head cap screw	2
G	Keyboard tray arm smart stop ring	3
H	Keyboard tray arm fixed links	2
J	Keyboard tray platform with mouse pad	1
K	Acorn nuts	4
L	Flat head screws	4
M	Keyboard tray mounting bracket	1

Keyboard Tray with Mouse Pad Arm Upright Assembly

- 1 Attach keyboard tray arm mounting block (C) to upright mounting clamp half with plate (A) using M8-1.25 x 30mm socket head cap screws (E) and 5/16" lock washers (D) (Fig-1).

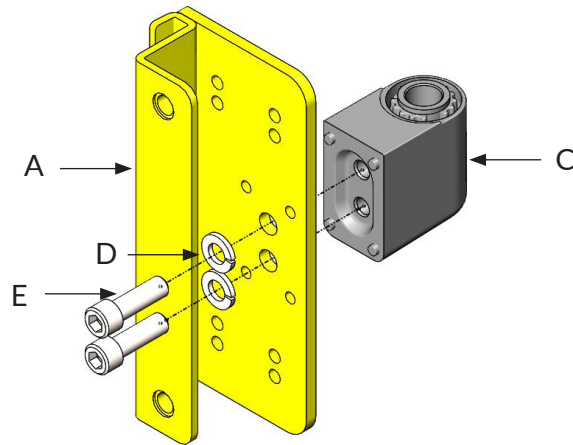


Fig-1

- 2 Hook upright mounting clamp halves (A) and (B) into desired position on slotted upright (Fig-2).
- 3 Secure clamp halves to upright using 5/16-18 x 1" hex head cap screws (F) (Fig-2).

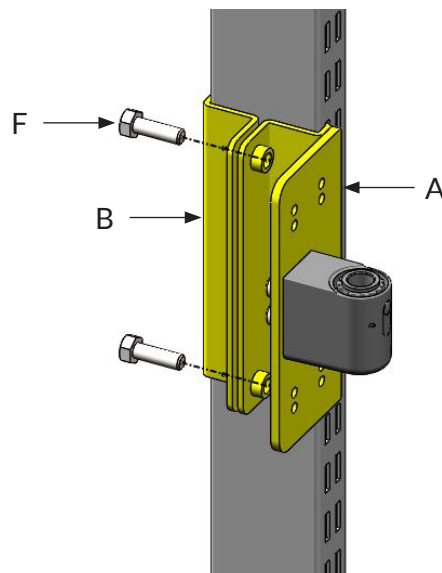


Fig-2

Keyboard Tray with Mouse Pad Arm Upright Assembly

4a Part # - PKBAA

Before adding each link of keyboard tray arm, adjust keyboard tray arm smart stop ring (G) (Fig-3a) according to manufacturer's assembly instructions.

1. Insert keyboard tray arm fixed link (H) into keyboard tray arm mounting block (C) until release button locks in place.
2. Insert keyboard tray arm adjustable link with mounting bracket (I) into fixed link (H) until release button locks in place.
3. To remove links, press the release button and lift upward near the joint.

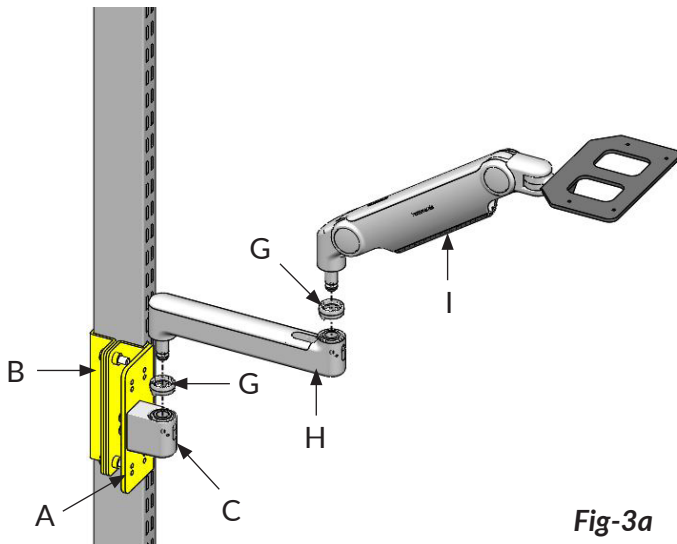


Fig-3a

4b Part # - KBAA

Before adding each link of keyboard tray arm, adjust keyboard tray arm smart stop ring (G) (Fig-3b) according to manufacturer's assembly instructions.

1. Insert the first keyboard tray arm fixed link (H1) into the keyboard tray arm mounting block (C) until release button locks in place.
2. Insert the second keyboard tray arm fixed link (H2) into the first keyboard tray arm fixed link (H1) until release button locks in place.
3. Insert keyboard tray arm mounting bracket (M) into second keyboard tray arm fixed link (H2) until release button locks in place.
4. To remove links, press the release button and lift.

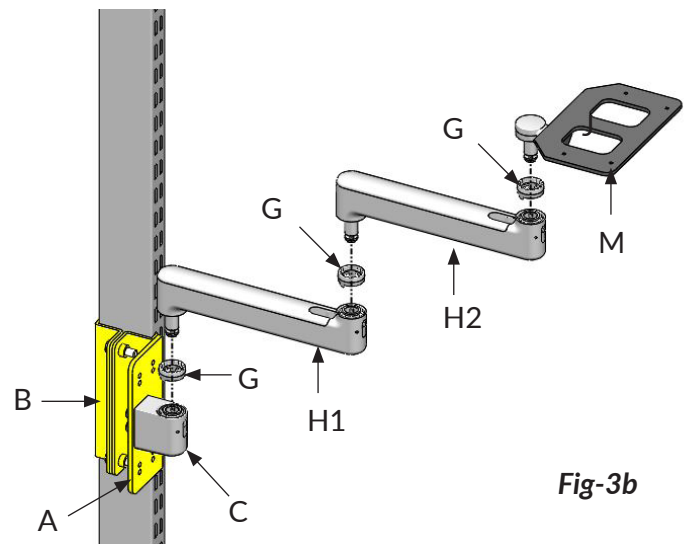
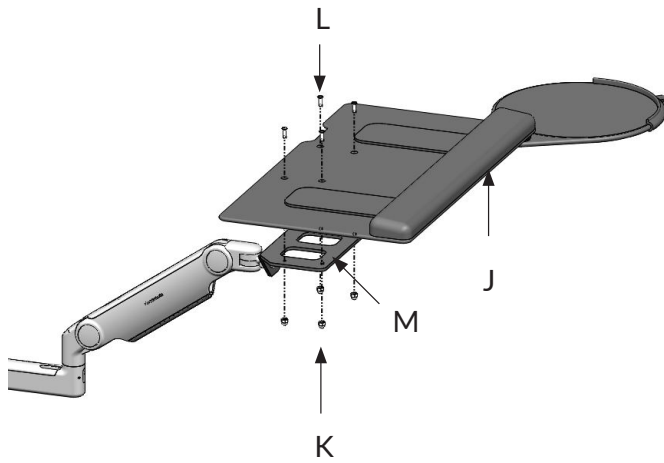


Fig-3b

Keyboard Tray with Mouse Pad Arm Upright Assembly

- 5** Attach keyboard tray platform with mouse pad (J) to keyboard tray mounting bracket (M) using the acorn nuts (K) and flat head screws (L) provided by the manufacturer.

Part # - PKBAA



Part # - KBAA

