

Articulating Platform

Part# - PH1313 Articulating Platform 13" x 13"

Part# - PH1322 Articulating Platform 13" x 22"

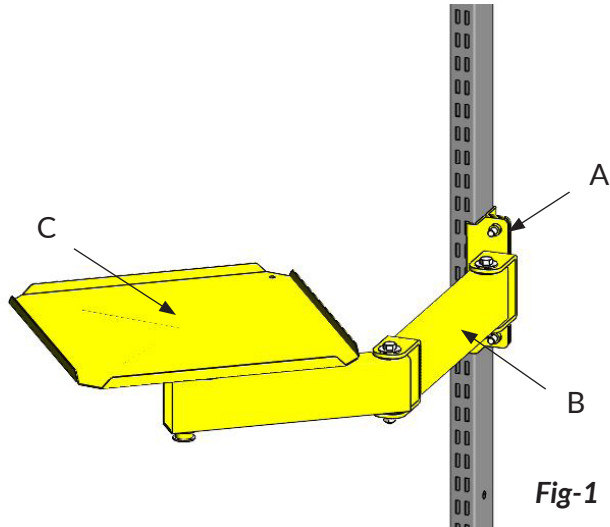


Fig-1

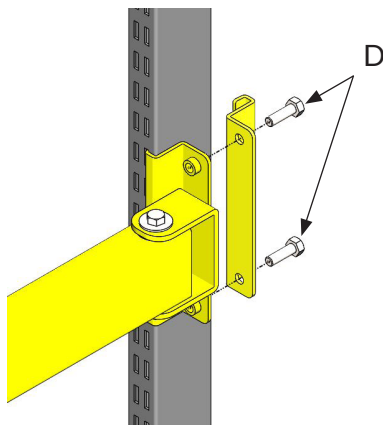


Fig-2

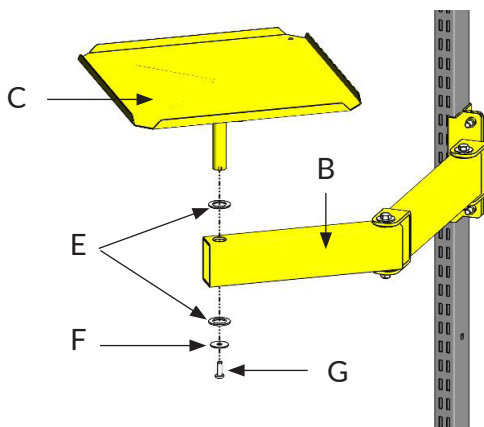


Fig-3

Tool List

#3 Phillips screwdriver

Impact driver with #3 Phillips bit

Ratchet with 1/2" socket

Part # PH1313, PH1322 Articulating Platform

Item	Components	Qty
A	Upright clamp without PEM fittings	1
B	Articulating arm	1
C	Platform/holder assembly	1
D	5/16-18 x 1" hex head cap screws	2
E	Spacer washer	2
F	1/4" Fender washer	1
G	1/4-20 x 3/4" Phillips pan head machine screw	1

1 Insert both sides of the upright clamp (A) into the upright slots at the desired height. Secure with two 5/16-18 x 1" hex head cap screws (D) (Fig-2).

2 Mount the platform/holder assembly (C) onto the articulating arm (B) through the end holes on the articulating arm.

Place a spacer washer (E) between the arm (B) and the platform/holder assembly (C). Place a spacer washer (E) and a 1/4" Fender washer (F) on the bottom of the arm (B) (Fig-3).

3 Secure with one 1/4-20 x 3/4" Phillips pan head machine screw (G) (Fig-3).