

Steel Foot Shelf

Part # with PB and AF Base Frames

- FS1336 - 13" x 36" Foot Shelf
- FS1348 - 13" x 48" Foot Shelf
- FS1360 - 13" x 60" Foot Shelf
- FS1372 - 13" x 72" Foot Shelf
- FSD1336 - 13" x 36" Foot Shelf with Slots
- FSD1348 - 13" x 48" Foot Shelf with Slots
- FSD1360 - 13" x 60" Foot Shelf with Slots
- FSD1372 - 13" x 72" Foot Shelf with Slots
- CFSDIV - Corrugate Storage Divider (optional)

Part # with PBH and AFH Base Frames

- FSH1136 - 11" x 36" Foot Shelf
- FSH1148 - 11" x 48" Foot Shelf
- FSH1160 - 11" x 60" Foot Shelf
- FSH1172 - 11" x 72" Foot Shelf
- FSHD1136 - 11" x 36" Foot Shelf with Slots
- FSHD1148 - 11" x 48" Foot Shelf with Slots
- FSHD1160 - 11" x 60" Foot Shelf with Slots
- FSHD1172 - 11" x 72" Foot Shelf with Slots
- CFSHDIV - 12"h x 11"d Corrugate Storage Divider (optional)

Tool List

Impact driver with #2 Phillips bit

Item	Components	Qty
A	Foot shelf pan assembly	1
B	#8 x 1" Phillips truss washer head self-drilling screw	2

- 1 Place the foot shelf pan assembly (A) on the table feet so it is pushed against the front of the leg with tabs between the legs (Fig-1)
- 2 Secure the foot shelf pan assembly (A) in place by running the #8 x 1" Phillips truss washer head self-drilling screws (B) into the legs through the holes in the tabs (Fig-2)
- 3 Insert the corrugate storage dividers (CFSDIV or CFSHDIV) into the slots on the foot shelf if needed (Fig-1)

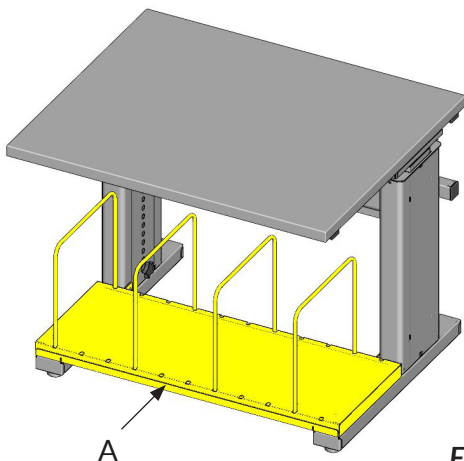


Fig-1

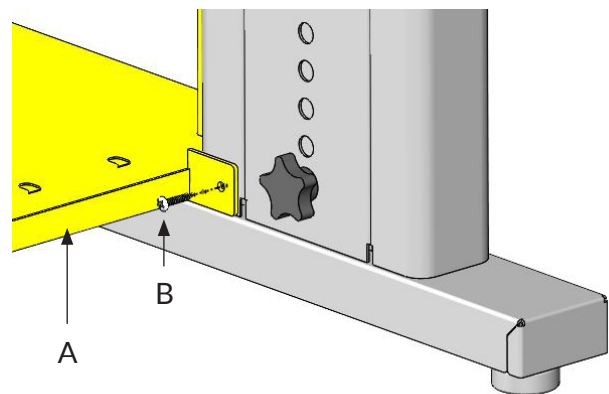


Fig-2