

Lower Full-Depth Pan Shelf for Four Post Workstation

Part# - FPUWSXXXX - Lower Full-Depth Pan Shelf
for Four Post Workstation

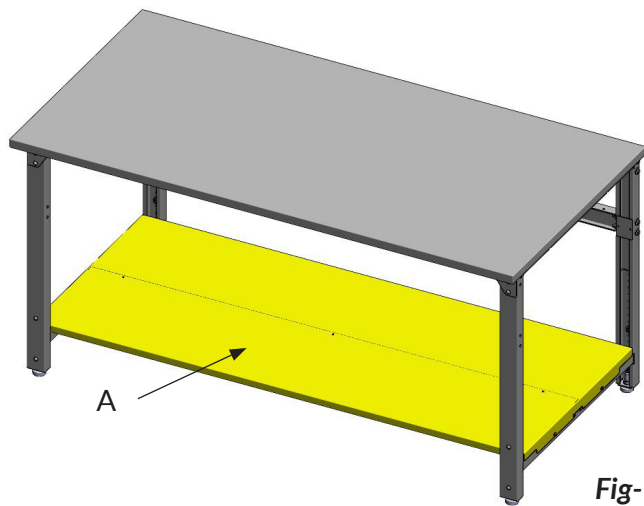


Fig-1

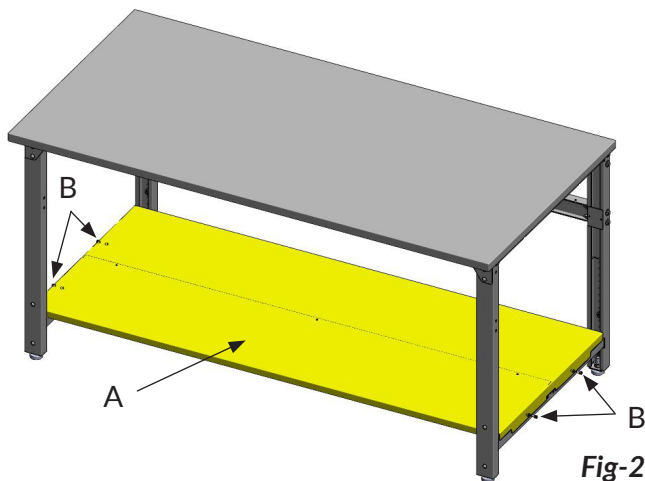


Fig-2

Tool List

Impact driver with 7/16" socket

Item	Components	Qty
A	Lower pan shelf	1
B	1/4-20 x 1/2" hex washer head thread cutting screw	4

- 1 Attach lower pan shelf (A) to four post workstation end frames using four 1/4-20 x 1/2" hex washer head thread cutting screws (B) (Fig-2).