

Lower Corrugate Shelf for Four Post Workstation

Part# - FPCSS15XX - Lower Corrugate Shelf for Four Post Workstation

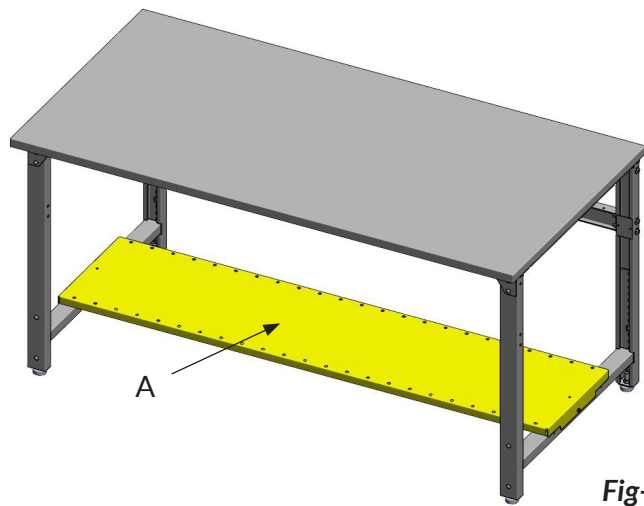


Fig-1

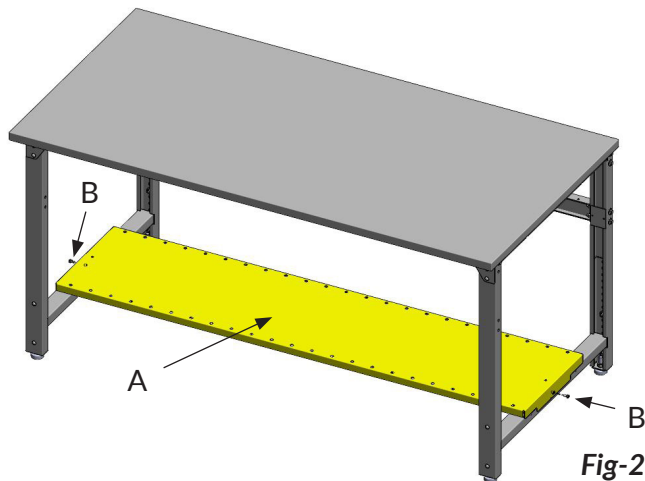


Fig-2

Tool List

Impact driver with 7/16" socket

Item	Components	Qty
A	Lower corrugate shelf	1
B	1/4-20 x 1/2" hex washer head thread cutting screw	2

- 1 Attach lower corrugate shelf (A) to four post workstation end frames using two 1/4-20 x 1/2" hex washer head thread cutting screws (B) (Fig-2).