

Articulating Document Holder

Part# - DH1111 - 11" x 11" Document Holder

Part# - DH1420 - 14" x 20" Document Holder

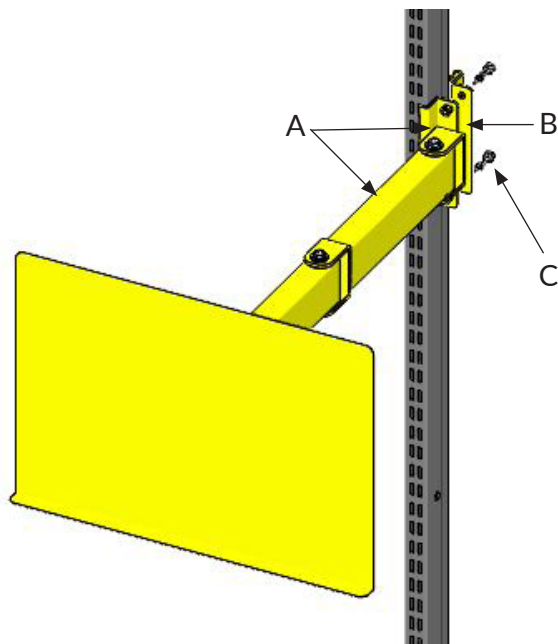


Fig-1

Tool List

Ratchet with 1/2" socket, or

Impact wrench with 1/2" socket

Item	Components	Qty
A	Upright clamp bracket with arm attached	1
B	Rear upright clamp bracket	1
C	5/16-18 x 1" Hex head cap screws	2

- 1 Insert upright clamp bracket with document holder arm attached (A) and rear upright clamp bracket (B) into slotted uprights at desired position.
- 2 Attach to the uprights using 5/16-18x 1" hex head cap screws (Fig-1).