

## Attached Footrest

### Part #

AFR1236 - 12" x 24" Platform on 36" Base

AFR1248 - 12" x 30" Platform on 48" Base

AFR1260 - 12" x 48" Platform on 60" Base

AFR1272 - 12" x 48" Platform on 72" Base

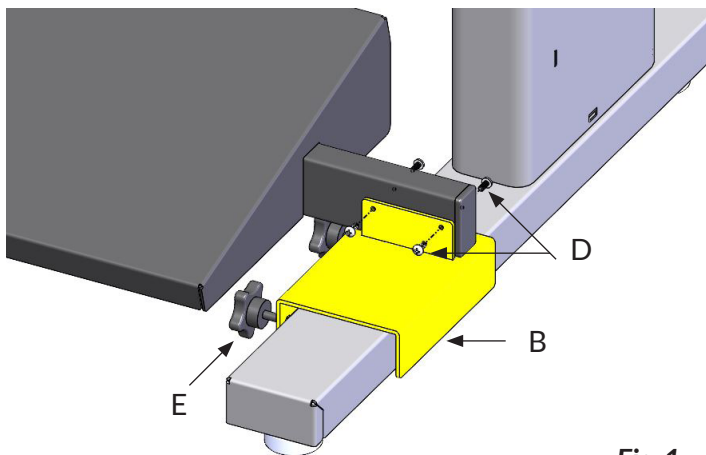
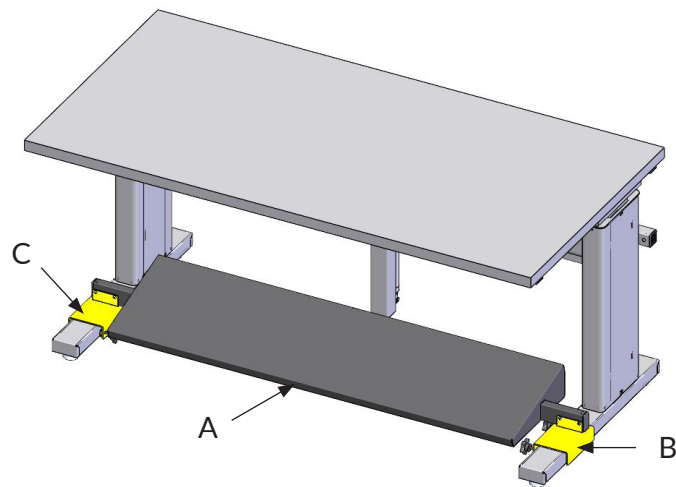


Fig-1

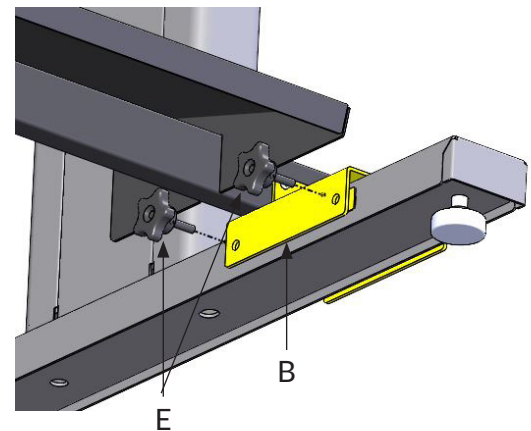


Fig-2

### Tool List

#2 Phillips screwdriver or

Impact driver with #2 Phillips bit

Item	Components	Qty
A	Foot rest pan assembly	1
B	Right hand foot clamp	1
C	Left hand foot clamp	1
D	#8-32 x 3/8" Phillips pan head thread cutting machine screw	8
E	5-star knob w/ 1/4-20 x 1" threaded stud	4

**1** Attach right hand foot clamp (B) to the right side of foot rest pan assembly (A) and left hand foot clamp (C) to the left side of foot rest pan assembly (A); secure them in place with eight #8-32 x 3/8" Phillips pan head thread cutting machine screws (D) (Fig-1)

**2** Place the foot rest pan assembly (A) with clamps (B and C) attached on the front of the feet; adjust to the desired position; tighten it down with two 5-star knobs (E) on each side (Fig-2)